

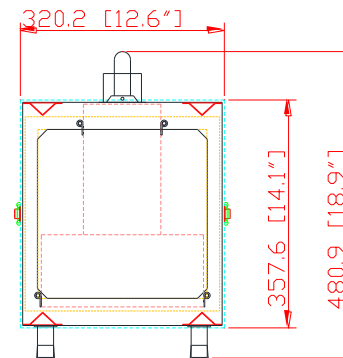
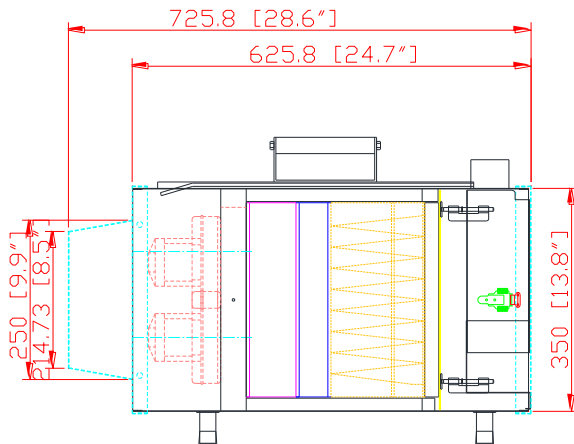
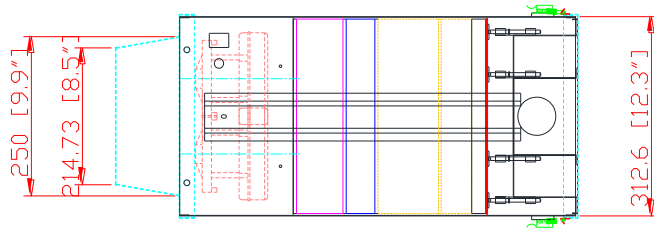
PFE-2010-S SPECIFICATIONS

- Motor: 800W x 2 pcs
- Electric Spec: 120V / 60Hz / 1Ph / 14A (wired at 120V)
- Airflow: 230 CFM (390 m3/hr)

Filtration Stages:

1. Aluminum mesh
 - spec: 305 x 305 x 22mm (12" x 12" x 0.87")
 - required quantity: 1 pc
2. Pre-Filter
 - spec: 305 x 305 x 45mm (12" x 12" x 1.77")
 - filter efficiency: 35%
 - required quantity: 1 pc
3. Pre-Filter
 - spec: 305 x 305 x 95mm (12" x 12" x 3.74")
 - filter efficiency: 85%
 - required quantity: 1 pc
4. Pleated Filter
 - spec: 305 x 305 x 45mm (12" x 12" x 1.77")
 - filter efficiency: 45%
 - required quantity: 1 pc
5. HEPA 99.97%
 - spec: 305 x 305 x 73mm (12" x 12" x 2.87")
 - filter efficiency: 99.97%
 - required quantity: 1 pc

- Dimension: 72.58 x 32 x 48.2 cm (28.6 x 12.6 x 19 inch)
- Inlet Size: dia. 63.5 mm (dia. 2-1/2")
- Construction: 14 gauge steel
- Max. Operating Temp.: 120°C
- Paint Color: powder coated Blue



SCALE	1:20	DRAWN	XX	DWG NO.	PFE-2010-S	REV
		CHECKED	XX			A
PROJECTION		MATERIAL	XX			
		DALE	2019.08.02			