

TELE-ECON
Telescopic Flexible Hose Arm
USER'S MANUAL

GRAPHIC SYMBOLS

important information

3D file or preview
availableyou will need
tools, sub parts,
accessorieskeep away from
source of high
temperaturewarnings, important
notesuse respiratory
protective equipmentprotect from noise or
eye damageswitch off before
proceeding

GENERAL INFORMATION	3
PRODUCT APPLICATION	3
OBJECTIONS	3
EQUIPMENT ARRIVAL	3
CONSTRUCTION AND DIMMENSIONS	4
TECHNICAL DATA	5
ARM INSTALLATION	5
HOOD POSITIONING	5
MAINTENANCE	6
TROUBLESHOOTING	6

GENERAL INFORMATION

This user's manual contains Telescopic Flexible Hose Arm TELE-ECON use and maintenance information. TELE-ECON user should become acquainted with this manual to learn about unit construction, principles of operation and means of its safe use. Manufacturer is not responsible for any consequences arising from the use of the unit against its intended purpose. Manufacturer reserves the right to make changes to improve performance and operational properties of the product in the future without prior notice.

PRODUCT APPLICATION

Telescopic Flexible Hose Arm TELE-ECON is designed for source capture of airborne pollutants. Thanks to use of fume extraction arms, air pollution can be captured before it enters operator's breathing zone. Self-locking joints with flexible hoses and grab handle make the arm operation easy and simple. Standard construction of TELE-ECON arms allow air pollution capture at applications like soldering, welding, cutting, polishing.

OBJECTIONS



Manufacturer does not recommend use of the unit for:

- work in an explosive environment and a collection of explosive substances or gases
- extraction of hot gases (more than 80°C/176°F continuously)
- sucking cigarettes, oiled tissues and other burning particles or objects
- suction of liquid substances, oils, oil mist
- sticky liquids



- Store in dry and airy rooms.
- Protect against possibility of shifting during transport.



Manufacturer does not recommend use of the device for cleaning air from dusts containing asbestos, cadmium, beryllium, chemically aggressive dusts explosion prone. For purifying air from wet dust please contact an authorized manufacturer's representative. Do not direct the sparks generated in the grinding process directly into the arm hood.

EQUIPMENT ARRIVAL

Upon arrival the user needs to thoroughly inspect the equipment and make sure there was no damage caused by the shipping carrier. If there is damage, the user needs to immediately contact their dealer.

The user should make sure that the items listed below were included with the device set:

- User's manual,
- set of bolts and nuts.

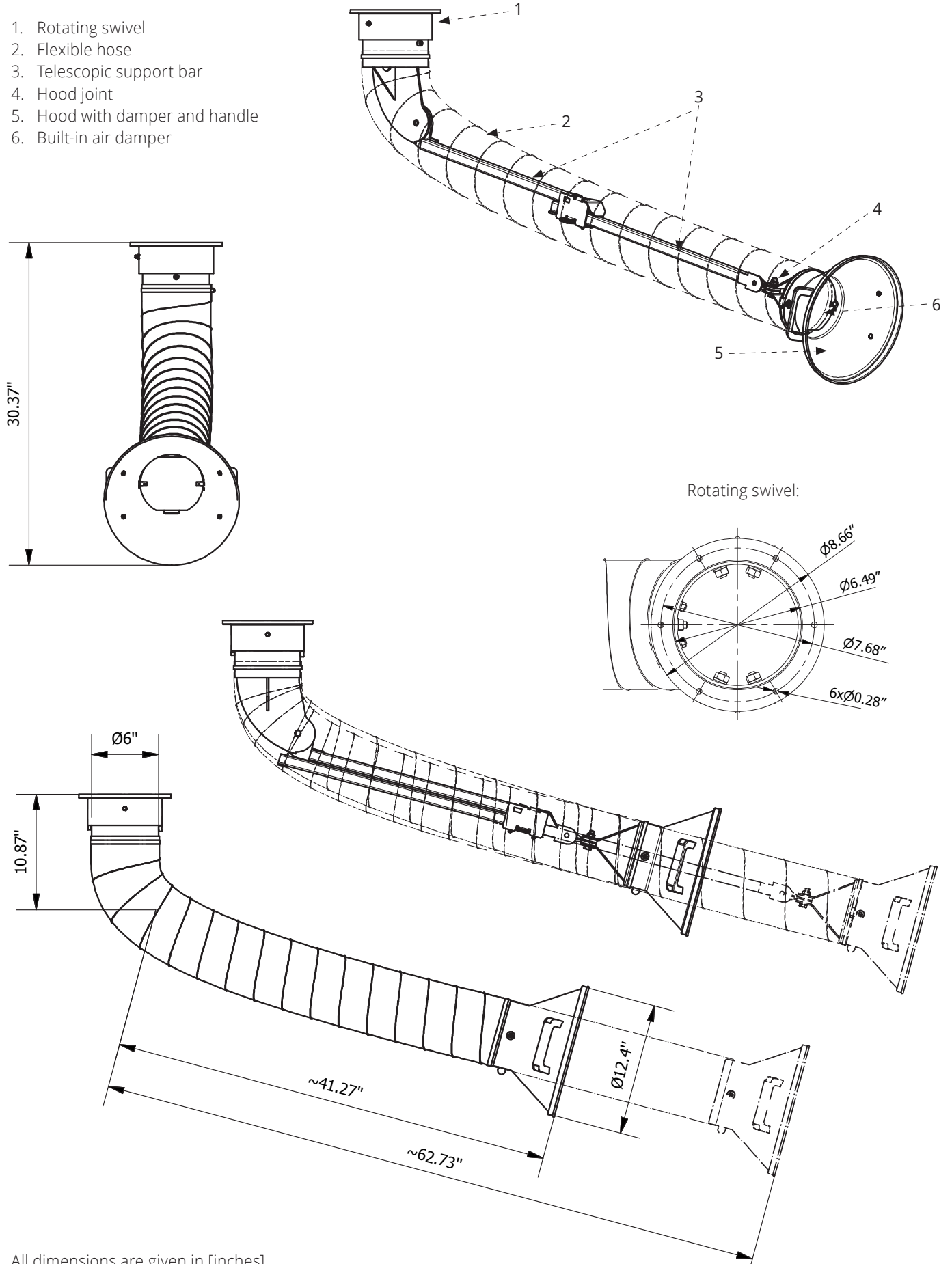
In the case of lack of any listed items, please contact the dealer.



If the package or device are damaged upon delivery the user needs to immediately contact the dealer and draw up a protocol with the representative of the shipping company (many shipping companies consider acceptance of the shipment to be sufficient to avoid liability for damage caused during shipping).

CONSTRUCTION AND DIMMENSIONS

- 1. Rotating swivel
- 2. Flexible hose
- 3. Telescopic support bar
- 4. Hood joint
- 5. Hood with damper and handle
- 6. Built-in air damper



All dimensions are given in [inches].

TECHNICAL DATA

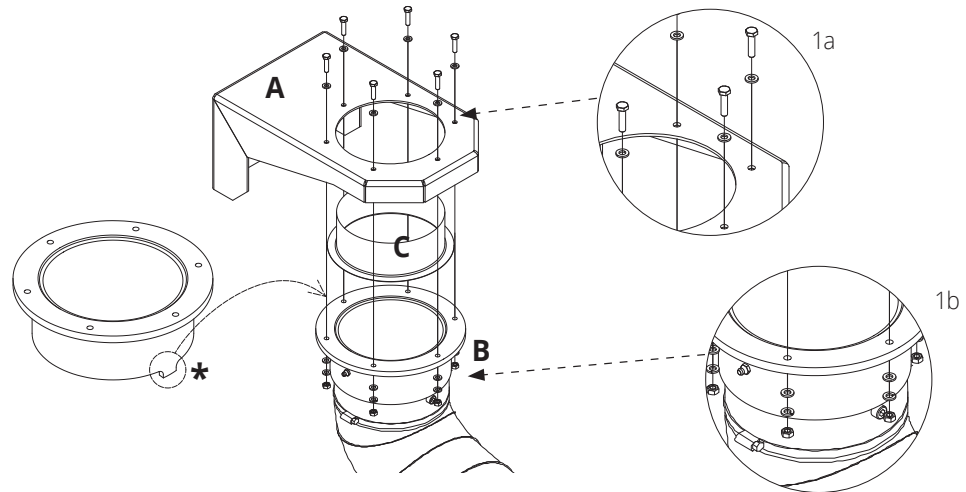
• Working range [feet]	3,28 - 5,25'	• Max. temp. resistance [°F]	176
• Tube diameter [inches]	6	• Recommended airflow [cfm]	589-765
• Hood diameter [inches]	12	• Arm weight [lb]	22

ARM INSTALLATION

TELE-ECON hose arm is delivered completely assembled and ready for installation. Fume extraction arms are equipped with a safety stop that sets the blind spot within range of arm operation. The arm should be installed with stopper facing the back side of the fume arm (e.g. a wall).

- A. Mounting bracket
- B. Rotating Swivel
- C. Connection Flange

* safety stopper



Install the arm using M6x25 bolts with flat washers (1a), flat washers, spring washers and nuts (1b) which were delivered with the fume extraction arm.

HOOD POSITIONING

TELE-ECON arm has the possibility of working in every position of telescope. Due to the limited effective range of the suction hood (rapid decrease in entrainment speed with distance change) an inlet is required in the area of direct dust extraction.



The best effect is obtained when the suction hood is located approximately 8 [in] from the emission source.

Many industrial applications associated with extremely high pollution loads will require higher maintenance intervals.

MAINTENANCE

DAILY	MONTHLY	YEARLY
<ul style="list-style-type: none"> check the overall condition of the device including self-locking properties and the condition of the hoses 	<ul style="list-style-type: none"> lubricate the rotating swivel with neutral to aluminum machine grease 	<ul style="list-style-type: none"> remove the hoses and clean the inside of the arm
<p>The manufacturer recommends to adjust the frequency of inspections of the arm, especially when the use of the arm is associated with a significant amount of captured pollutants.</p>		

TROUBLESHOOTING

SYMPTOMS	POSSIBLE REASONS	PROCEDURE
Arm doesn't stay in position.	Loose joints.	Adjust joints evenly on each side.
Resistance during the rotation of arm.	Lack of lubrication in rotating swivel.	Inject grease through the grease fitting on rotating swivel.
Low air flow.	Closed damper.	Open the damper.
	Blockage inside the arm.	Take off the hose on joints, inspect the inside of the arm and clean it.
	Elastic hose not properly mounted.	Take off the hoses, put them back on and secure tightly with clamps.
	Damaged hose.	Replace the hose.



- Do not move the arm beyond the perceptible resistance.
- Do not push standing arm models outside the vertical axis of rotation swivel.



888-372-0050 x4
Sales@IAP-AirProducts.com
www.IAP-AirProducts.com