

EXTENSION BOOM 160/200

User's Manual

GRAPHIC SYMBOLS	3
GENERAL INFORMATION	3
PRODUCT APPLICATION	3
EQUIPMENT ARRIVAL	3
CONSTRUCTION	4
TECHNICAL DATA AND DIMENSION	4
MOUNTING VARIANTS	6
INSTALLATION	6
MAINTENANCE	7
TROUBLESHOOTING	7

Graphic symbols



important information



3D file or preview available



you will need tools, sub parts, accessories



keep away from source of high temperature



warnings, important notes



use respiratory protective equipment



protect from noise or eye damage



switch off before proceeding

GENERAL INFORMATION

This instruction manual contains Extension Booms 160 mobile filter unit use and maintenance information. Extension Booms user should become acquainted with contents of this publication to learn about unit construction, principles of operation and means of its safe use. Manufacturer is not responsible for any consequences arising from the use of the unit against its intended purpose. Manufacturer reserves the right to make changes to improve performance and operational qualities of the product in the future without prior notice.



Store in dry and airy rooms. Place in a position ready for operation. Protect against possibility of shifting during transport.

PRODUCT APPLICATION

Extension booms 160 mobile filter unit can be operated without restriction in the technical areas intended for permanent human habitation. Boxair Basic is designed for extraction and purification of air from the dry dust (with particular emphasis on the processes of welding, grinding, polishing, pouring, dispensing, grinding, cutting metals and plastics).



Manufacturer does not recommend use of the unit for:

- air purification from dust containing asbestos, cadmium, beryllium
- air purification from wet dust

EQUIPMENT ARRIVAL

Upon arrival the user needs to thoroughly inspect the equipment and make sure there was no damage caused by the shipping carrier. If there is damage, the user needs to immediately contact their dealer.

The user should make sure that the items listed below were included with the device set:

User's manual,

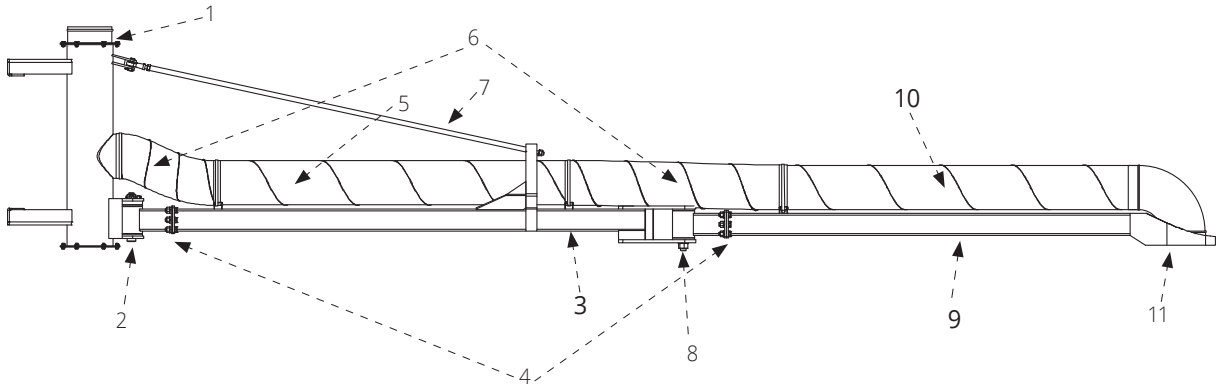
- set of bolts and nuts,
- extension boom base,
- beam with support bar
- support beam with mounting socket
- counter support bar,
- lexible hoses using clamping bands (2 sets).

In the case of lack of any listed items, please contact the dealer.



If the package or device are damaged upon delivery the user needs to immediately contact the dealer and draw up a protocol with the representative of the shipping company (many shipping companies consider acceptance of the shipment to be sufficient to avoid liability for damage caused during shipping).

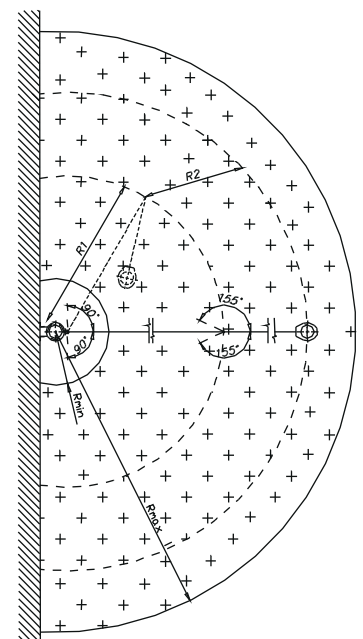
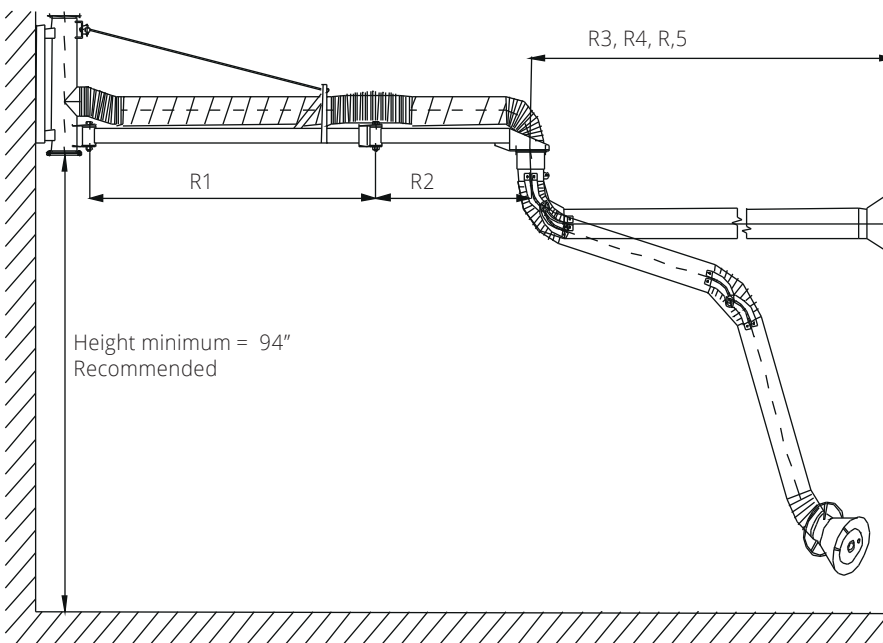
CONSTRUCTION



- 1. Extension boom base
- 2. Base joint
- 3. Beam with support bar
- 4. Beams connection
- 5. Spiral pipe - 1,6m
- 6. Flexible hose
- 7. Counter support bar
- 8. Middle joint
- 9. Support beam with mounting socket
- 10. Spiral pipe - 1,2m
- 11. Mounting socket

TECHNICAL DATA AND DIMENSIONS

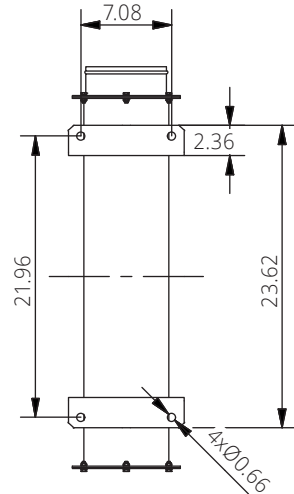
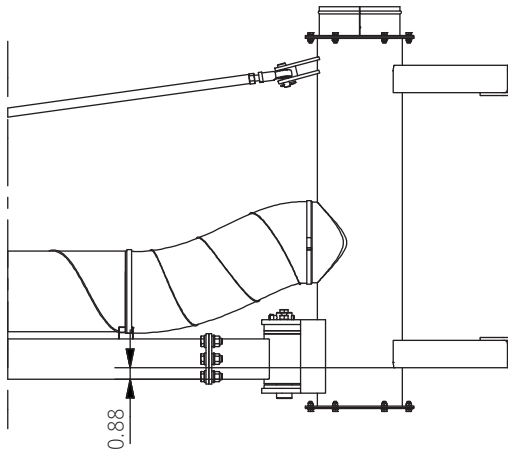
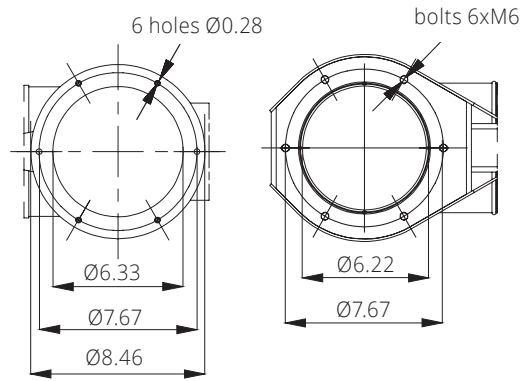
Model type	Ø [inches]	reach [feet]	R1 [feet]	R2 [feet]	R3 7' Arm [feet]	R4 10' Arm [feet]	R5 14' Arm [feet]	Typical Restrictions and Air Flow [inches wg]	Weight [lb]
W06-01-21160	6	10	6.56	3.60	7	10	14	3.8 @ 800 cfm	164
W06-01-42160	6	20	12.47	5.90	7	10	14	4.6 @ 800 cfm	214
W06-01-21200	8	10	6.23	3.60	7	10	14	3.8 @ 1000 cfm	276
W06-01-42200	8	20	12.80	5.90	7	10	14	4.6 @ 1000 cfm	342



Working radius double pivot



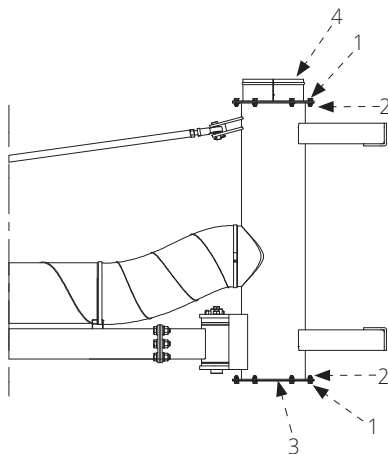
Keep in mind the height difference between mounting holes on the extension boom base and the mounting socket when installing the extension boom at the workplace.



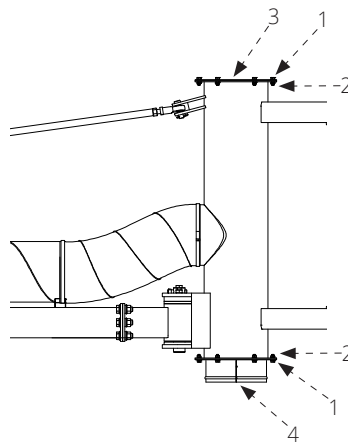
All dimmension are given in inches.

MOUNTING VARIANTS

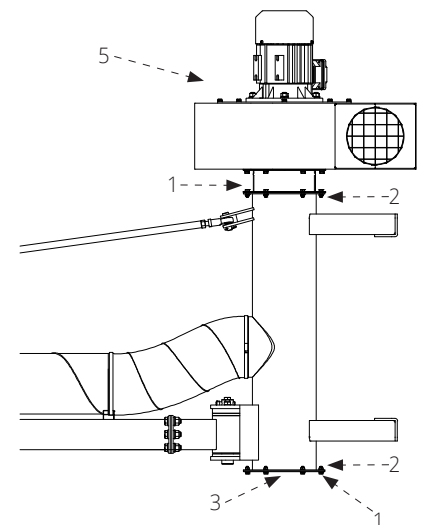
1. Bolt M6x16 + standard washer - 6 sets
2. Spring washer + standard washer + nut - 6 sets
3. Plug
4. Outlet (with connection flange)
5. Fan



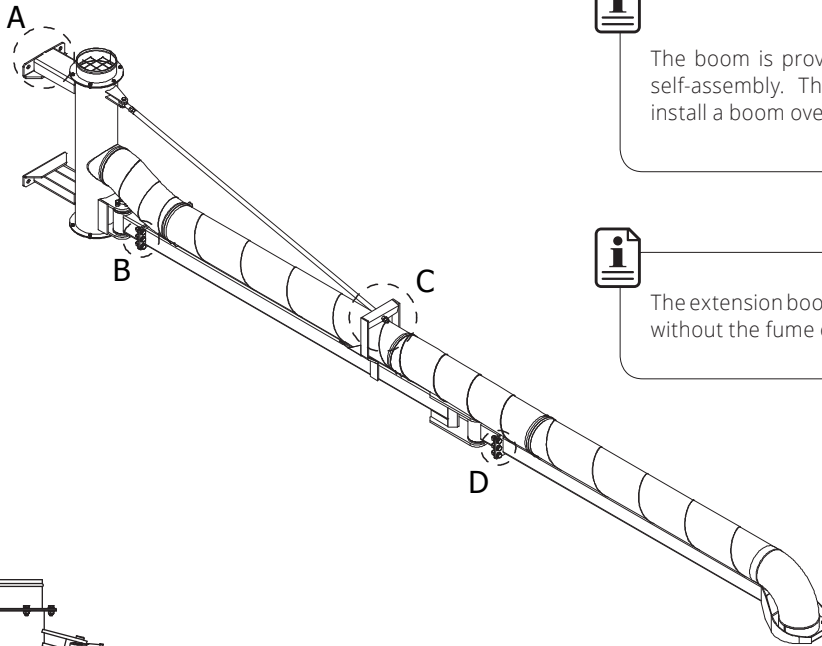
OUTLET POINTING UP



OUTLET POINTING DOWN

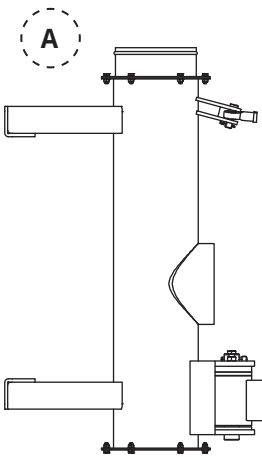


FAN INSTALLED DIRECTLY



i The boom is provided with components prepared for self-assembly. This manual shows how to properly install a boom over the workplace - step by step.

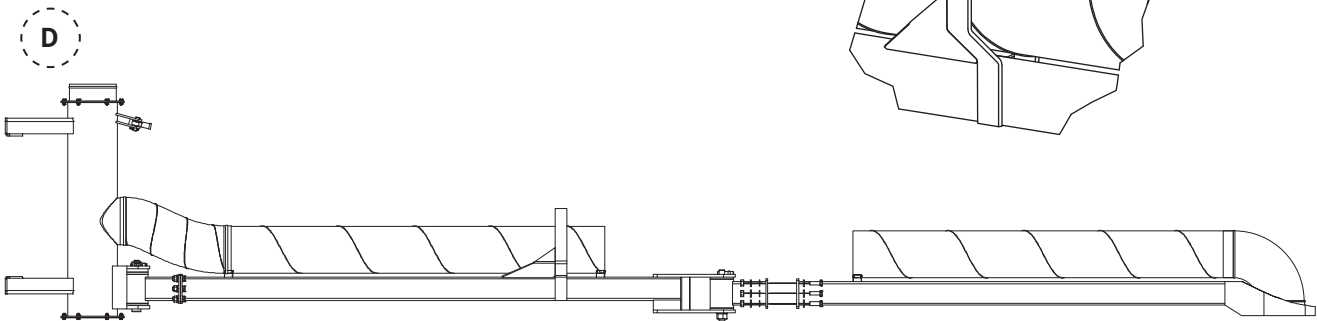
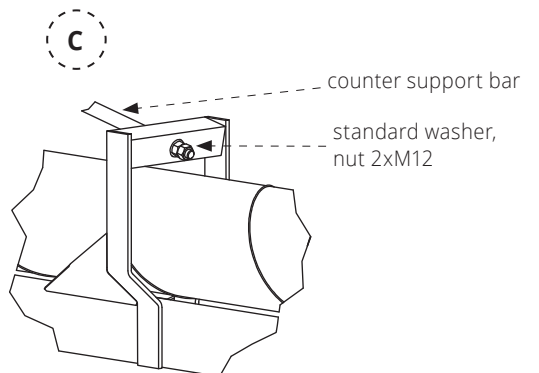
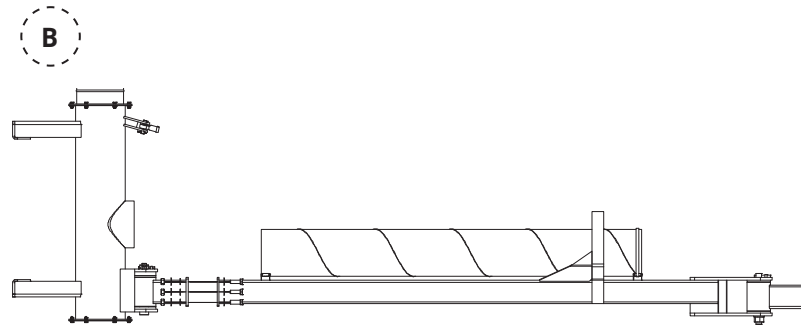
i The extension boom should be installed fully assembled, without the fume extraction arm.



Extension boom installation at workplace:

- A. Mount the extension boom base to a wall or other support structure so that the base is in vertical axis.
- B. Install the first segment to the base of the boom (beam with support bar and spiral pipe). Use the M12x35 bolts, round washers, spring washers and nuts.
- C. Level the support beam. Adjust by turning the nut. When adjusted properly secure its position with the second nut.
- D. Install the second segment the same way (support beam with mounting socket and spiral pipe). Use bolts M12x35, round washers, spring washers and standard nuts. The spiral pipe should be connected to the nipple using a sheet metal screw.

The final stage is the assembly of flexible hoses using clamping bands.



MAINTENANCE

DAILY:

Visual inspection of the elastic hoses.

MONTHLY:

Overall inspection of the flexible hoses connection tightness..

YEARLY:

Lubricate the rotating swivel with neutral to aluminum machine grease.
Inspection of the installation and retightening the bolts between the device and its support.



DO NOT move sleeve beyond the perceptible resistance
install incompatible devices.

TROUBLESHOOTING

SYMPTOMS	POSSIBLE REASONS	PROCEDURE
Difficulties setting the extension boom in the desired position.	No vertical level of the base.	Reinstall the device according to instructions maintaining the vertical level.
	No horizontal level of the support beam.	Adjust the counter-support. bar (Installation – paragraph 3).
Lower air volume.	Untight connections of the elastic hoses.	Inspect the clamps on the elastic hoses.
	Damaged elastic hoses.	Replace the damaged elastic hoses.
Difficult handling.	Improperly adjusted self-locking properties of the device.	Adjust with the bolts (Installation – paragraph 4)



888-372-0050 x4
Sales@IAP-AirProducts.com
Industrial Air Products 2544
Highway 70 East Cookeville,
TN 38506