



www.IAP-AirProducts.com • Sales@IAP-AirProducts.com

102474 SF1000 1,1KW, 120/1/60, UL

SF-1000 welding table

Complete, heavy duty workbench with filter unit for those who require reliable and long lasting protection from air pollution.

Construction:

- rigid, heavy duty welded steel structure, allowing long-term exploitation
- all parts powder coated
- down draft built in table
- filter unit
- simple filter cartridges maintenance
- standard built-in compressed air cleaning system

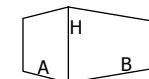
Parameters:

nominal airflow:	1000 m ³ /h
main filter surface:	12 m ²
weight:	110 kg
power supply:	1 x 120V / 60Hz
motor power:	1,1 kW

Notes:

- ready to work with Oskar fume arm 160 models
- optional revolving table

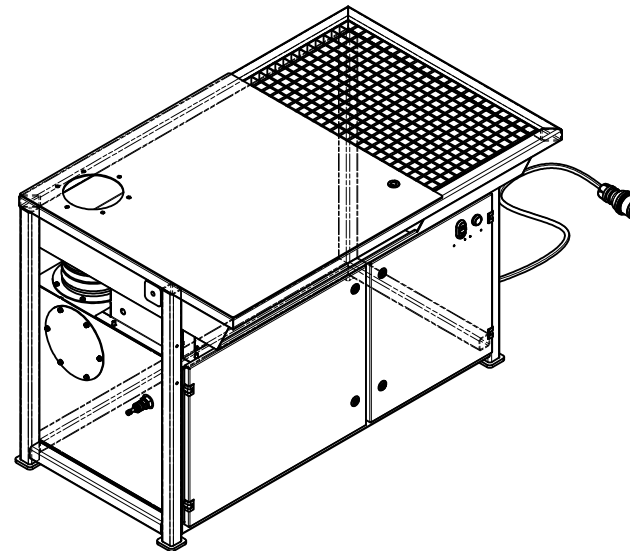
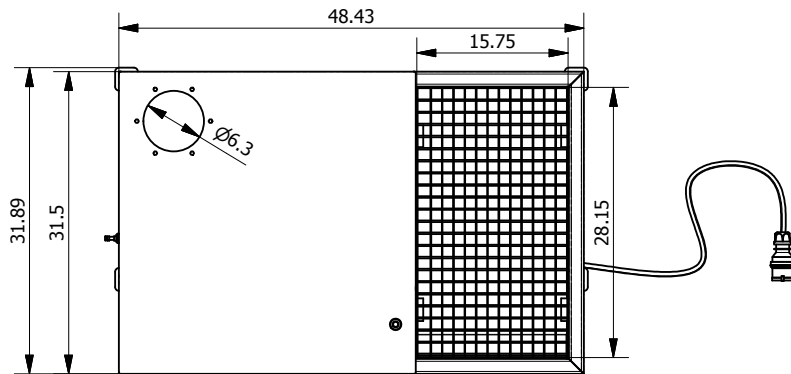
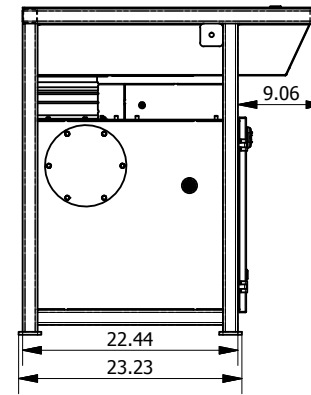
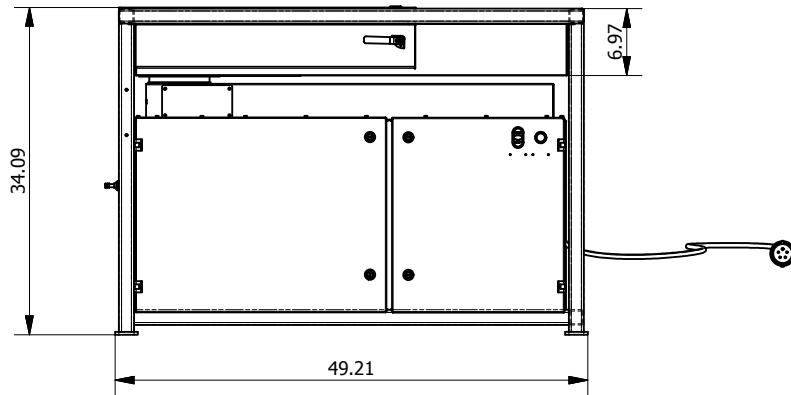
The method of packing and carton sizes:



A = 32
B = 50
H = 35
weight brutto = 440 lbs

All dimensions are in **inch**

888-372-0050 x4
Sales@IAP-AirProducts.com
Industrial Air Products
2544 Highway 70 East
Cookeville, TN 38506



© All rights reserved