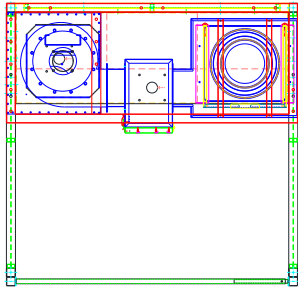


FWS-55 Filtered Work Station Specifications

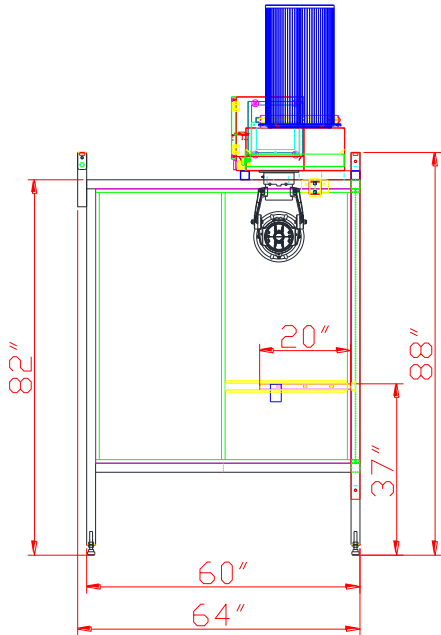
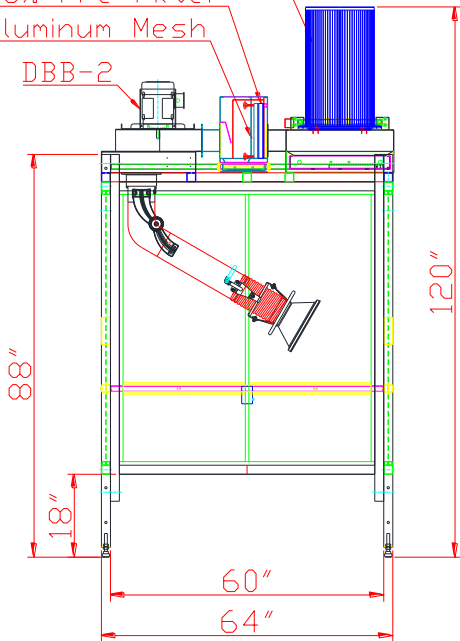


- External Dimension: 64" x 64" x 120"
 - Inner Dimension: 60" x 60" x 90"
 - Panel Construction: 12 Gauge welded steel
 - Three piece construction (2) side panels (1) back panel
 - Frame and Brace: 2" Square Tube; 11 Gauge
 - Panel Length: Panel to have the standard open area of 18 inches.
 - Walk-In booth
 - Welding curtain rod
 - Fume Arm Mounting Bracket
 - Arm Stand
 - Arm Stand Support
 - Hanging Fume Arm
- Motor: 2HP
 - Airflow: 1600 CFM
 - Filtration Stage:
 - 1st: Aluminum Mesh
 - 2nd: 45% Pre-Filter
 - 3rd: Cartridge Filter

Cartridge Filter

45% Pre-Filter
Aluminum Mesh

DBB-2



2544 Highway 70 East,
Cookeville, TN 38506

SCALE	1:20	DRAWN	XX	DWG NO.	FWS-55	REV
	PROJECTION		CHECKED			XX
MATERIAL			XX			
		DALE	2018.10.15			