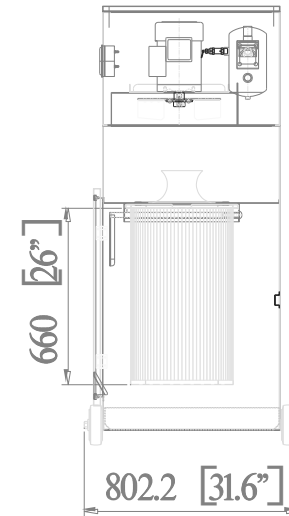
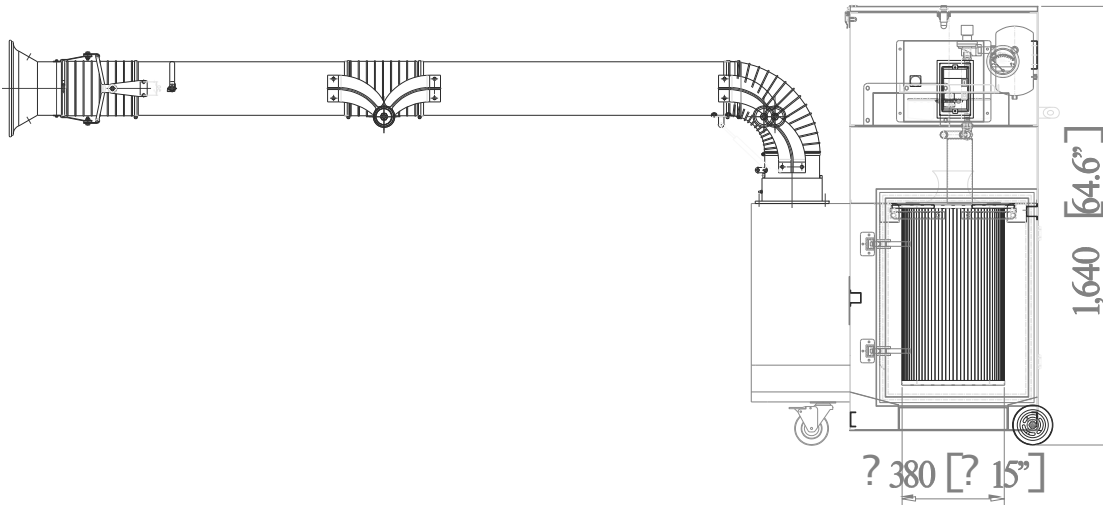
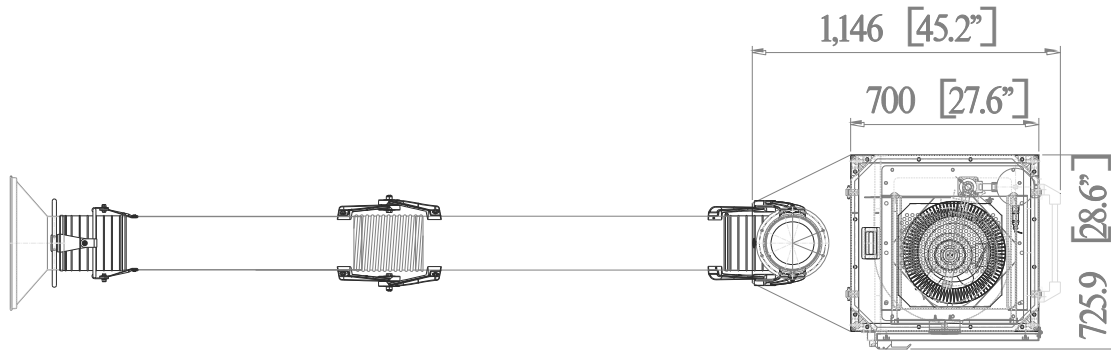


WELDING FUME EXTRACTOR

- Motor: 1.5HP (Aluminum Impeller)
- Electric Spec: 120V-220V / 60Hz / 1Ph
- Airflow: 1100 CFM

Filtration Stages:

1. Aluminum Mesh x 1 pc
 2. Cartridge Filter x 1 pc
 - Spec: Dia. 15" x 26"L
 - Filtration Area: 269 sq. ft.
 - Material: FR 80/20 Filter
 3. Carbon Filter x 1 pc
- No. of Valves: 1
 - Dimension: 45.2" x 31.6" x 64.6"
 - Construction: 14 gauge steel
 - Max. Operating Temp.: 120°C
 - Paint Color: Custom Color
 - Arm Port: Compatible with 6" / 8" x 1"
 - Magnetic Switch



SCALE	1:20	DRAWN	XX	DWG NO.	WFE-11	REV
		CHECKED	XX			A
PROJECTION		MATERIAL	XX	DALE	2018.12.17	