



www.IAP-AirProducts.com • Sales@IAP-AirProducts.com

**Standard Fume Arm - Duct Diameter 5", Reach 7'**

- 301101500**
- Hood inlet Diameter 10".
  - Standing model.

Previous Part #: • W02-01-1220P

**Standard construction:**

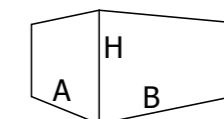
- 205-325 cfm
- all adjustments on the outside
- aluminum hood with air diverter
- grab handle around the hood
- aluminum hood joints
- middle and swivel steel joints
- aluminum and steel mounting swivel
- smooth tubes
- standard built-in air damper
- black PVC flexible hoses (temperature resistance up to 176°F)
- standard powder coating

**Accessories and options:**

- photosensor set, hood light, light switch, 26ft of cable
- hood light set with switch and 26ft of cable
- hood light set with 2 switches (additional switch for fan or electric damper control), 26ft of cable
- grounding option - all metal parts hood, tubes, mounting swivel connected with grounding wires

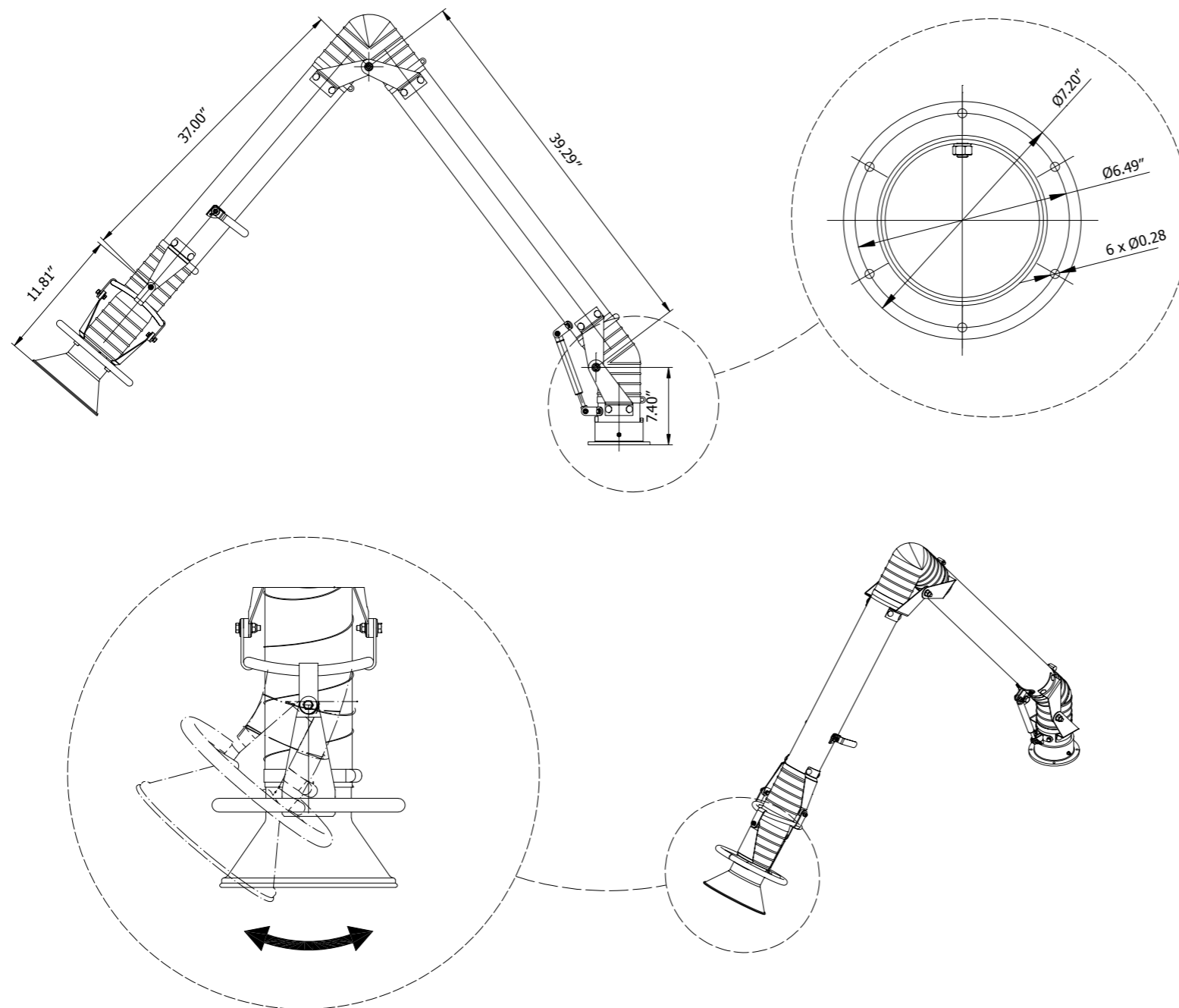
**Notes:**

**The method of packing and carton sizes:**



A = 12.99"  
 B = 55.91"  
 H = 20.47"  
 weight = 37.5 lbs

All dimensions are given in [inch].



888-372-0050 x4  
 Industrial Air Products  
 2544 Highway 70 East  
 Cookeville, TN 38506  
 © All rights reserved.