



www.IAP-AirProducts.com • Sales@IAP-AirProducts.com

Stainless Steel Fume Arm - Duct Diameter 3", Reach 5'

- W02-FS-0715**
- Hood inlet Diameter 6".
 - Hanging model.

Standard construction:

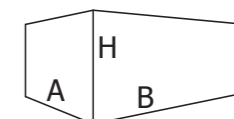
- nominal airflow 60-90 cfm
- all adjustments on the outside
- stainless steel hood with air diverter
- grab handle around the hood
- aluminum hood joints
- middle and swivel steel joints
- aluminum and stainless steel mounting swivel
- smooth stainless steel tubes
- stainless steel built-in air damper
- clear FDA polyurethane flexible hoses (temperature resistance up to 176°F)
- grade 304 stainless steel
- mounting bracket WSS-075 stainless steel
- connection flange Ø3" stainless steel
- stainless steel hardware nut, bolts and anodized aluminum shock assembly

Accessories and options:

- hood light kit with switch and 26ft of cable

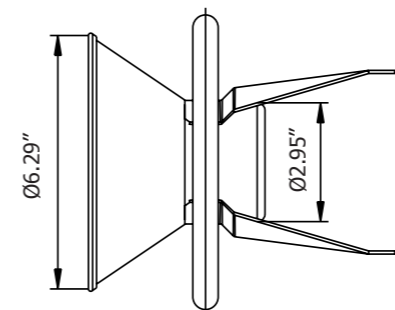
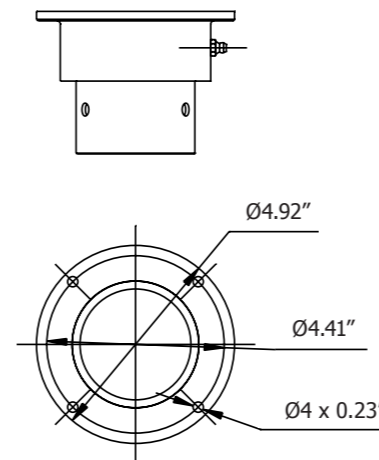
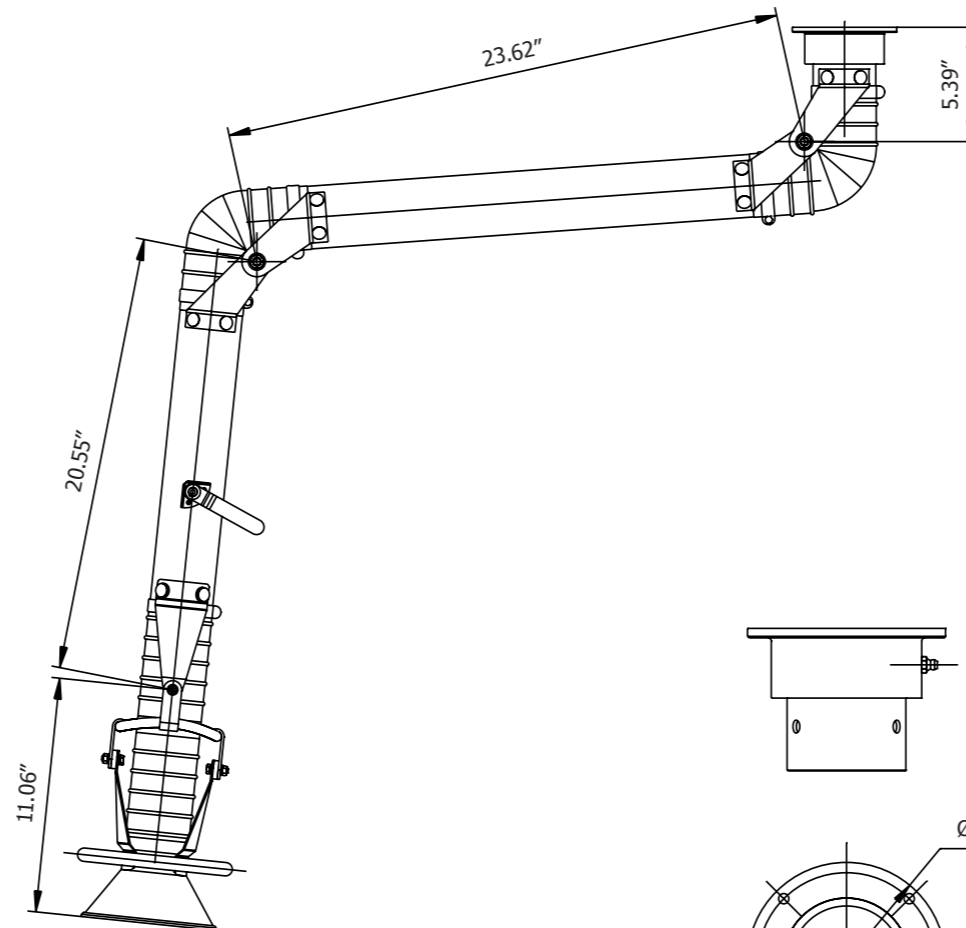
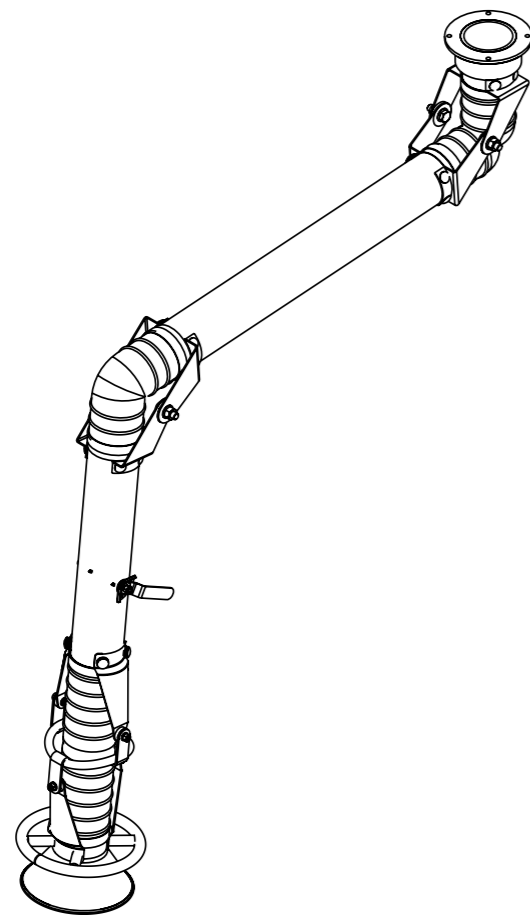
Notes:

The method of packing and carton sizes:



A = 9.06"
 B = 36.22"
 H = 12.99"
 weight = 13.5 lbs

All dimensions are given in [inch].



888-372-0050 x4
 Industrial Air Products.
 2544 Highway 70 East
 Cookeville, TN 38506
 © All rights reserved.