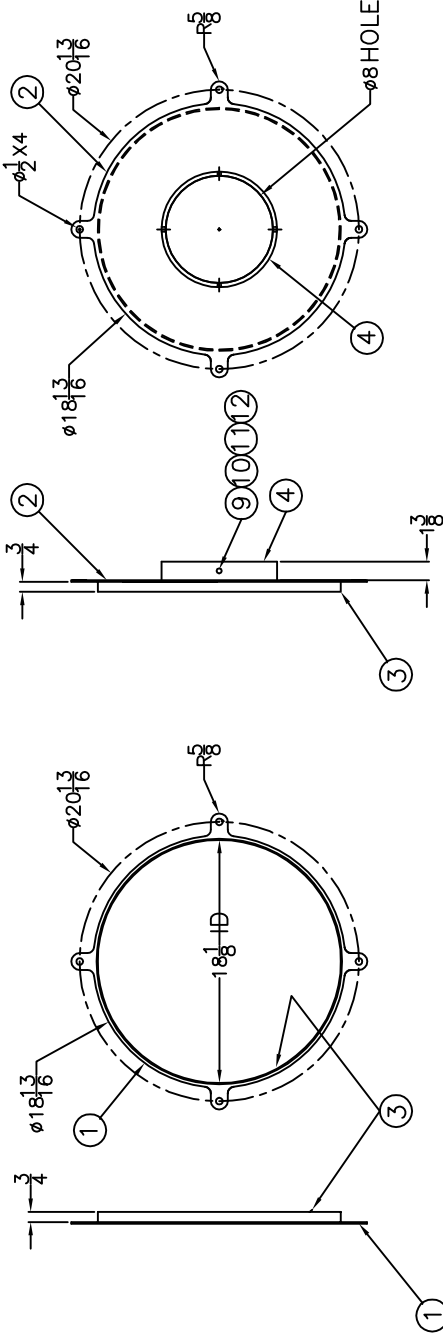


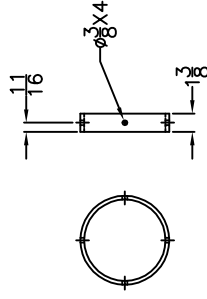
**BILL OF MATERIAL**

NO.	DESCRIPTION	QTY
1	PLATE 12 GA. X 22-1/16 OA DIA.	1
2	PLATE 12 GA. X 22-1/16 OA DIA.	1
3	PLATE 16 GA. X 3/4 W X 17-15/16 ID	1
4	PIPE SCH. 40-8D X 1-3/8L	1
5	3/8 ZINC PLATED WING NUT	8
6	FIRE RETARDANT FILTER #N20138	1
7	3/8 ZINC PL. THREADED ROD 28-1/2"L	4
8	3/8 ZINC PL. LOCKWASHER	4
9	1/4 X 1 ZINC PL. HEX HD. BOLTS	4
10	1/4 ZINC PL. LOCKWASHER	4
11	1/4 ZINC PL. FLATWASHER	8
12	1/4 ZINC PL. HEX NUT	4
13	3/8 THREADED ROD EYE SOCKET	1

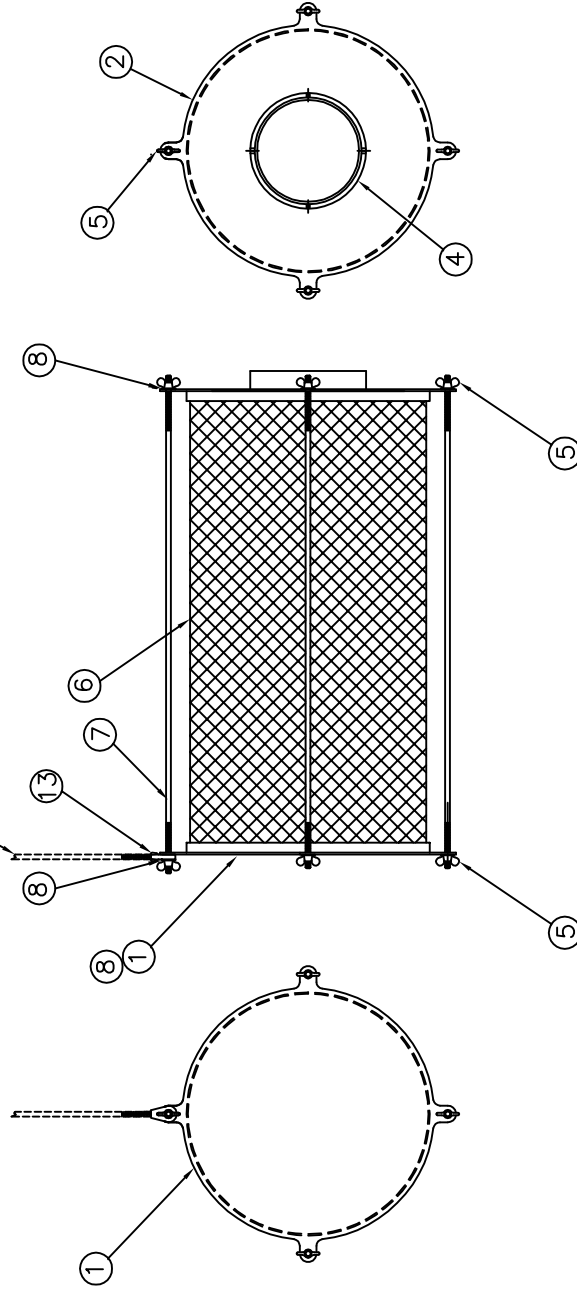


END PLATE 1

INLET PLATE 2



COLLAR 4



ASSEMBLY

N O T E S:

- o PRIMED AND PAINTED VALSPAR SATIN OCEANIC.
- o FIELD INSTALLATION REQUIRED BY CUSTOMER.
- o CUSTOMER TO FIELD DRILL FAN FOR ITEM 9,10,11,12 LOCATION
- o CUSTOMER TO ADD SILICONE AT FILTER HOUSING TO FAN JOINT.

INDUSTRIAL AIR PURIFICATION, INC.  
 2415 WILSON AVE. RD. FLD 091-572-0090  
 COOKVILLE, TN 38506 SALES@INDUSTRIALAIRPURIFICATION.COM

TITLE: IAP FAN EXHAUST FILTER OPTION-3 HP

DATE: Jul 6, 2016 DRAWN BY: DC FLORES  
 SCALE: NONE PART NO: N20138 ASSEMBLY  
 CUSTOMER: DRAWING NO: IAP-3 HP