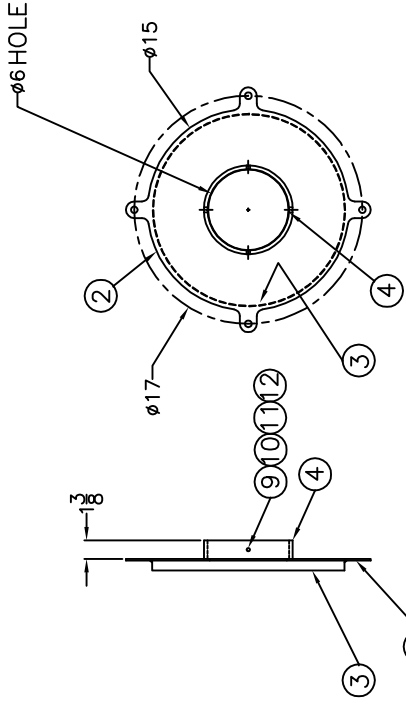
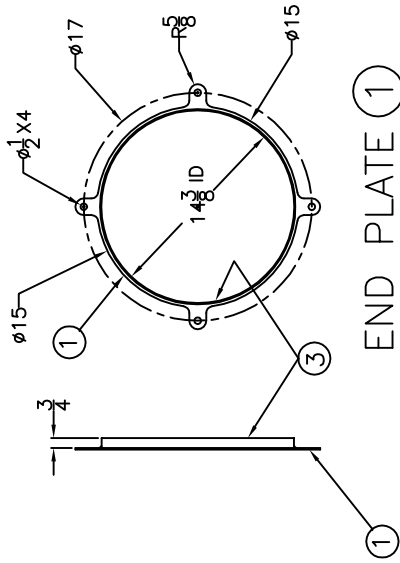


**BILL OF MATERIAL**

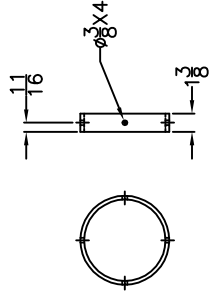
NO	DESCRIPTION	QTY
1	PLATE 12 GA. X 18-1/8 OA DIA.	1
2	PLATE 12 GA. X 18-1/8 OA DIA.	1
3	PLATE 16 GA. X 3/4 W X 14-3/8 ID	1
4	PIPE SCH. 40-6D X 1-3/8L	1
5	3/8 ZINC PLATED WING NUT	8
6	FIRE RETARDANT FILTER N20139	1
7	3/8 ZINC PL. THREADED ROD 28-1/2"L	4
8	3/8 ZINC PL. LOCKWASHER	4
9	1/4 X 1 ZINC PL. HEX HD. BOLTS	4
10	1/4 ZINC PL. LOCKWASHER	4
11	1/4 ZINC PL. FLATWASHER	8
12	1/4 ZINC PL. HEX NUT	4
13	3/8 THREADED ROD EYE SOCKET	1



INLET PLATE (2)

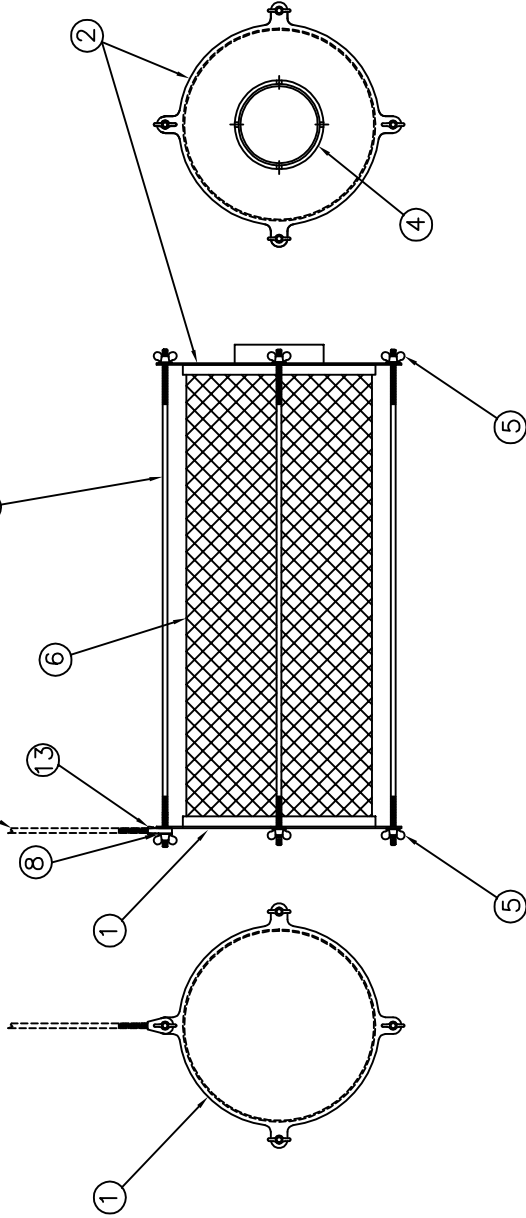


END PLATE (1)



COLLAR (4)

3/8 HANGER ROD BY CUSTOMER



ASSEMBLY

N O T E S:

- PRIMED AND PAINTED VALSPAR SATIN OCEANIC
- FIELD INSTALLATION REQUIRED BY CUSTOMER.
- CUSTOMER TO FIELD DRILL FAN FOR ITEM 9,10,11,12 LOCATION
- CUSTOMER TO ADD SILICONE AT FILTER HOUSING TO FAN JOINT.

INDUSTRIAL AIR PURIFICATION, INC.  
 2415 WILSON BLVD. FLD 091-572-0090  
 COOKVILLE, TN 38506 SALES@INDAIR.PURIFICATION.COM

TITLE: IAP FAN EXHAUST FILTER OPTION-1 AND 2 HP

DATE: Jul 6, 2016 PART NO: N20139-ASSEMBLY DRAWING: IAP-1&2HP

SCALE: NONE CUSTOMER: DRAWING NO. IAP-1&2HP