



Industrial Air Purification, Inc.

www.IAP-AirProducts.com • Sales@IAP-AirProducts.com

Double pivot extension boom 8" x 10'

104654

- Diameter 8"
- Reach 10'

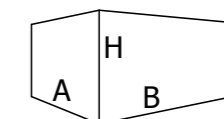
A - Inlet flange
B - Outlet flange
C - Mounting bracket

Standard construction:

- galvanized spiral tube on the support beam
- heavy duty steel closed profile support beams with metal counter
- support rod and inlet socket for 8" IAP Fume Arms
- all supports and adjustments on the outside
- welded steel boom mounting bracket with top or bottom outlets
- rigid bearings with friction discs
- black PVC flexible hoses (temperature resistance up to 176°F)
- load capacity of 110 lbs

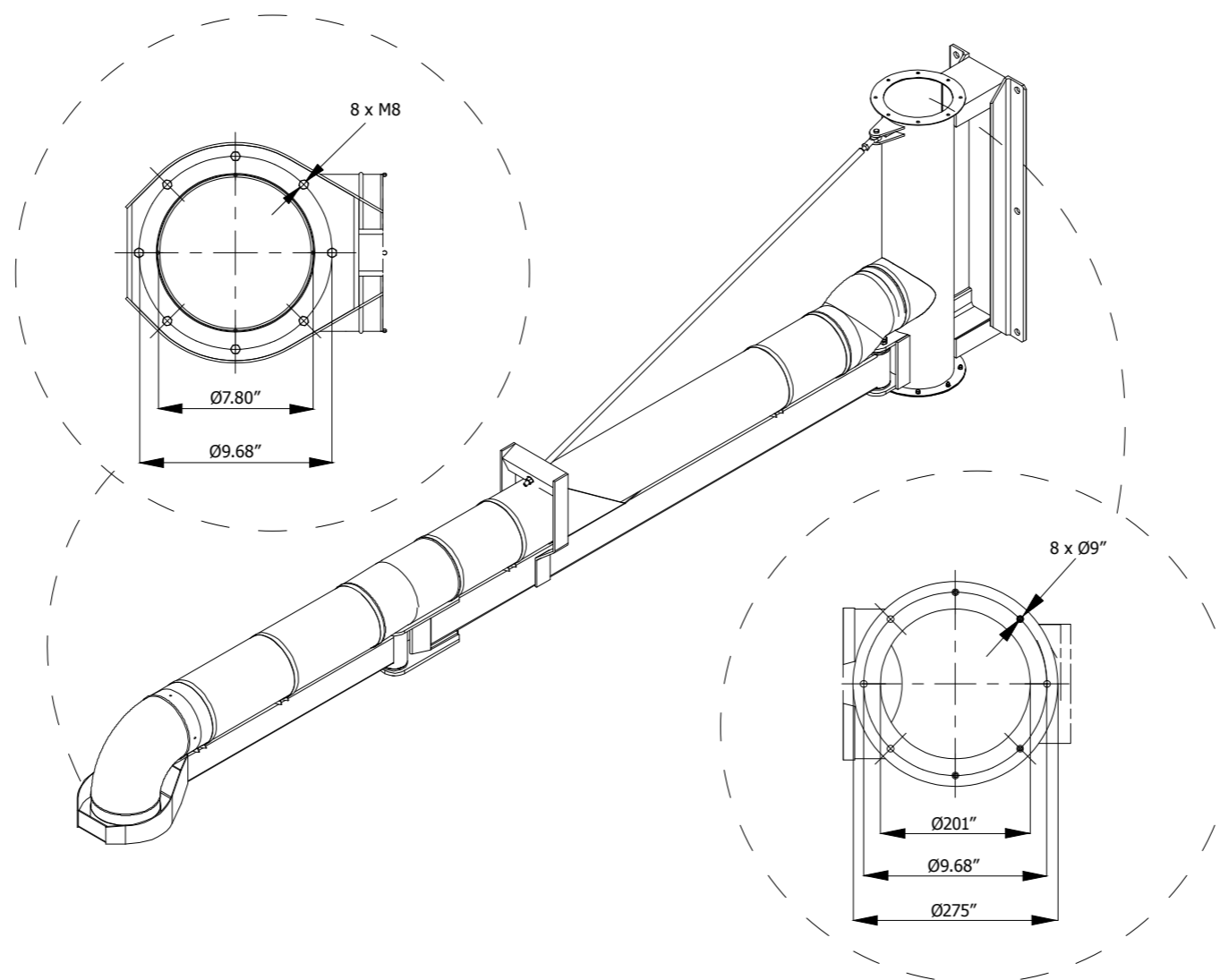
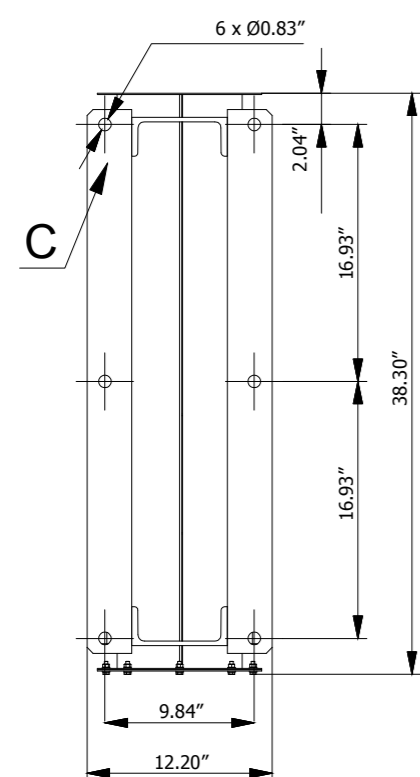
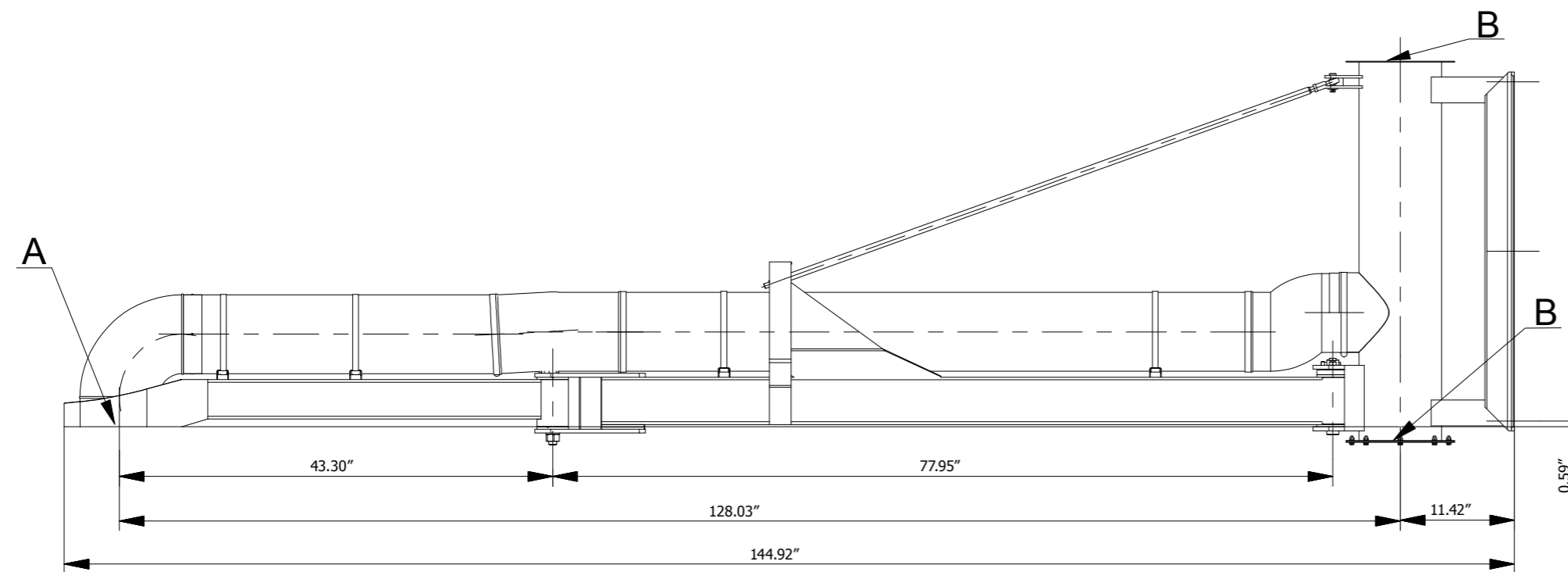
Notes:

The method of packing and carton sizes:



A = 13"
 B = 146"
 H = 39.5"
 weight = 234 lbs

All dimensions are given in [inch].



888-372-0050 x4
 Industrial Air Purification, Inc.
 2544 Highway 70 East
 Cookeville, TN 38506
 © All rights reserved.