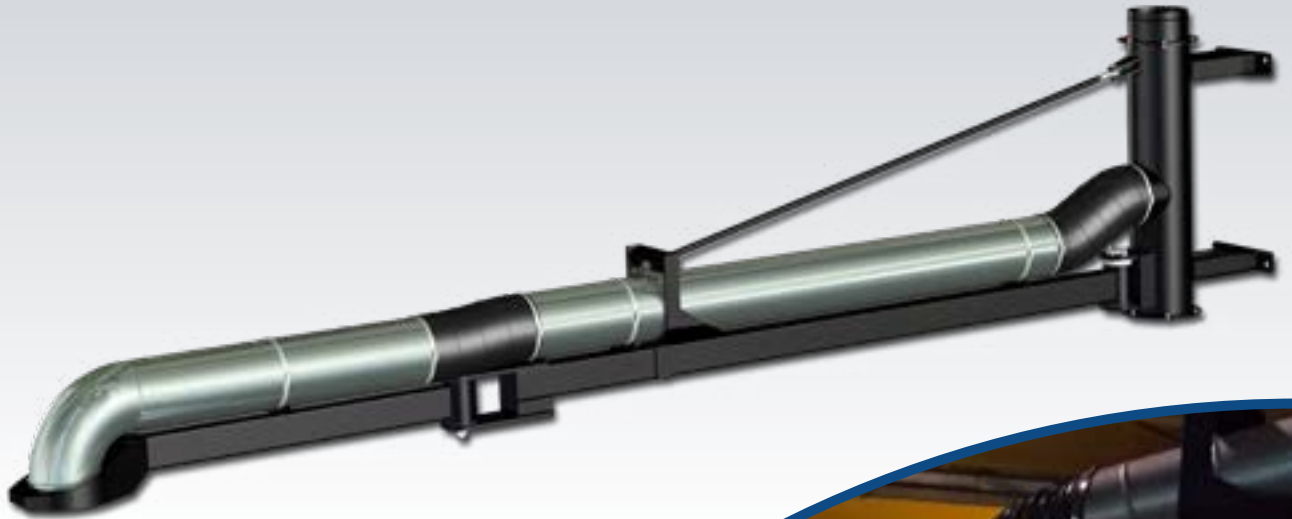




Extension Booms

Designed to extend the reach of self-supporting fume arms.

888-372-0050 x4
Sales@IAP-AirProducts.com
www.IAP-AirProducts.com



Extension Booms

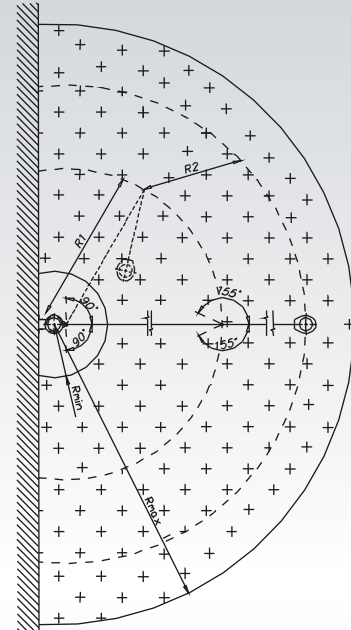
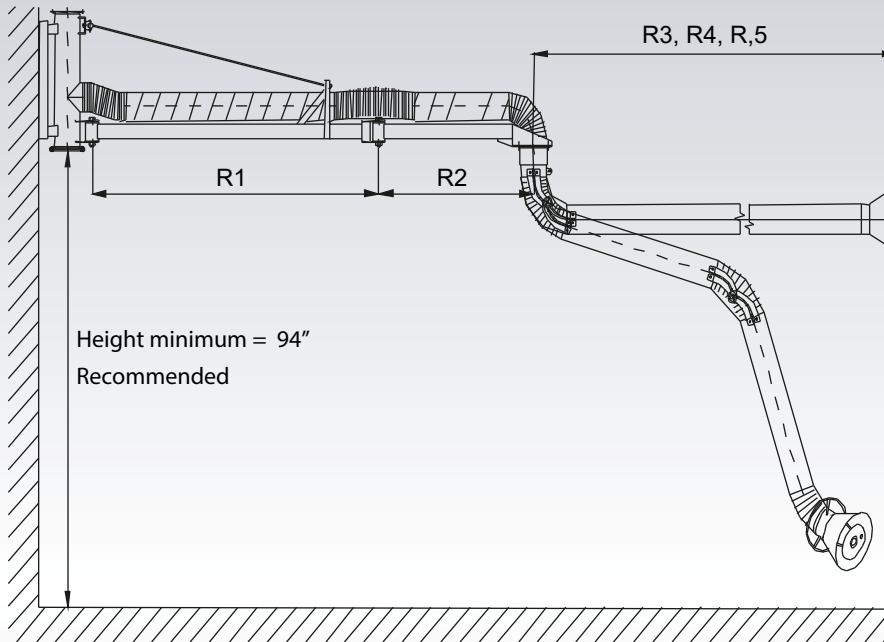
Industrial Air Purification, Inc. • 888-372-0050 x4 • Sales@IAP-AirProducts.com

Applications:

- welding, grinding, polishing, packaging, cutting, automotive fumes, oil mist and smoke
- standard temperature resistance up to 275F
- recommended airflow range 600 - 1250 cfm
- 6" and 8" arms

Construction:

- galvanized spiral tube on the support beam
- heavy duty steel closed profile support beams with metal counter support rod and inlet arm connection
- all supports and adjustments on the outside
- welded steel boom mounting bracket with top or bottom outlets
- rigid bearings with friction discs
- black PVC flexible hoses (temperature resistance up to 275F)
- 180 degree rotation



Working radius double pivot

Part #	Ø [inches]	reach [feet]	R1 [feet]	R2 [feet]	R3 7' Arm [feet]	R4 10' Arm [feet]	R5 14' Arm [feet]	Typical Restrictions and Air Flow [inches wg]	Weight [lb]
104658	6	10	6.56	3.60	7	10	14	3.8 @ 800 cfm	164
102936	6	20	12.47	5.90	7	10	14	4.6 @ 800 cfm	214
104654	8	10	6.23	3.60	7	10	14	3.8 @ 1000 cfm	276
103384	8	20	12.80	5.90	7	10	14	4.6 @ 1000 cfm	342

Dealer Information / Contact:



888-372-0050 x4
 Sales@IAP-AirProducts.com
 Industrial Air Purification Inc.
 2544 Highway 70 East
 Cookeville, TN 38506

SINGLE SOURCE FOR
 at www.IAP-AirProducts.com
 Fume / Welding / Dust Arms
 Ambient Air Cleaners, Mobile Welding Units
 Dust Collectors, Vehicle Exhaust, etc.