



## Industrial strength in capturing:

- WELDING FUMES
- GRINDING DUSTS
- DRY DUSTS
- SOLDERING FUMES
- POWDERS
- PLASMA CUTTING

888-372-0050 x4

[Sales@IAP-AirProducts.com](mailto:Sales@IAP-AirProducts.com)

[www.IAP-AirProducts.com](http://www.IAP-AirProducts.com)



*Built-in air damper.*



Telescopic Flexible Hose Extraction Arm

Industrial Air Products • 888-372-0050 x4 • [Sales@IAP-AirProducts.com](mailto:Sales@IAP-AirProducts.com)

## Features:

- black PVC elastic hose on telescopic frame
- industrial strength and durability
- versatile design
- possibility of working in every position of telescope
- rotating swivel for full working range
- grab handle on the hood
- hood has a built-in air damper

## Benefits:

- exceptionally long operational life time
- user friendly construction
- better airflow at lower static pressure
- low noise performance
- easy to adjust and maintain
- simple and stable positioning
- increased capture velocity

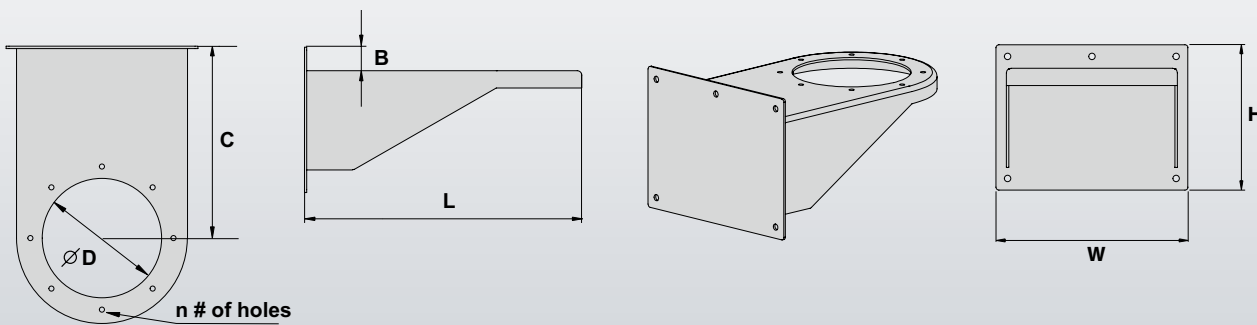


## Technical Data

Part number	Tube Diameter [inches]	Working range [Feet]	Hood Diameter [inches]	Ductwork Connection [inches]	Mounting Configuration	Typical Restrictions and Air Flow [inches wg]	Arm, Bracket and Hood Weight [lbs]
103598	6	3.28 - 5.25	12.4	6	Hanging	589-765cfm	57.5
104606	8	3.28 - 5.25	14	8	Hanging	800-1000cfm	65

## Standard Hanging Mount Bracket

Bracket type Ø [inches]	n	ØD [inches]	C [inches]	L [inches]	B [inches]	W [inches]	H [inches]	Weight [lb]
6	6	6.30	10.00	14.72	1.38	9.84	6.50	7.9



## Dealer Information / Contact:



888-372-0050 x4  
 Sales@IAP-AirProducts.com  
 Industrial Air Products  
 2544 Highway 70 East  
 Cookeville, TN 38506

## SINGLE SOURCE FOR

at [www.IAP-AirProducts.com](http://www.IAP-AirProducts.com)  
 Fume / Welding / Dust Arms  
 Ambient Air Cleaners, Mobile Welding Units  
 Dust Collectors, Vehicle Exhaust, etc.