



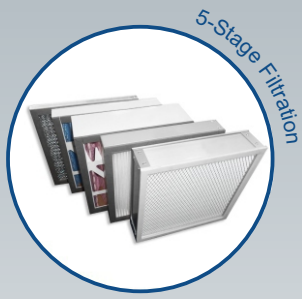
PFE-2010-S, Mobile Filter Unit
Designed for removal of dusts and Fumes
during manufacturing processes.

888-372-0050 x4
Sales@IAP-AirProducts.com
www.IAP-AirProducts.com

PFE-2010-S Portable Fume Extractor



IAP Air Products • 888-372-0050 x4 • Sales@IAP-AirProducts.com



Applications:

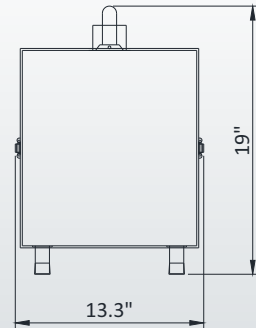
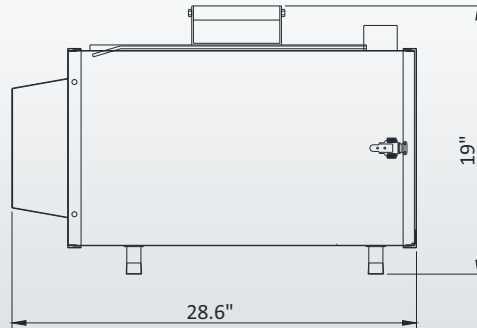
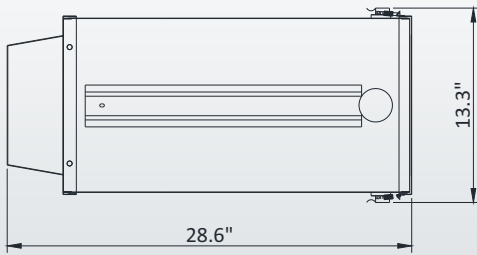
- Welding Fume Collection
- Grinding Dust Collection
- Dry Dust Collection
- Fume Collection

Features:

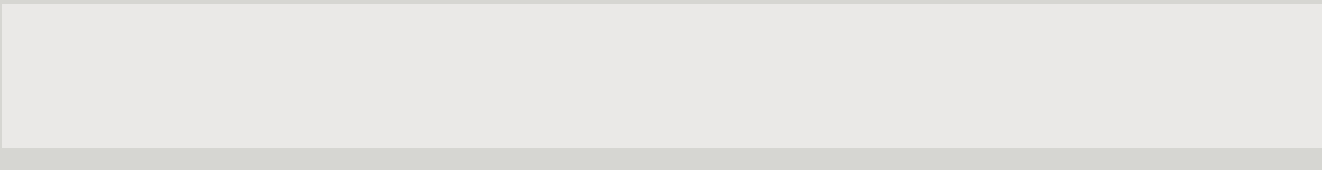
- 5-Stage Filtration
- Filter Indicator
- Lightweight & portable design
- Dual carbon-motor design
- Variable speed control
- Heavy gauge powder coated steel

Technical Data:

Airflow (Low Speed)	100 cfm
Airflow (High Speed)	230 cfm
Motor	800W *2
Power Supply	120V / 1
Dimension	28.6" x 13.3" x 19"
Inlet Size	Ø2-1/2"
1st Filtration	Aluminum Mesh
2nd Filtration	35% Prefilter
3rd Filtration	85% Prefilter
4th Filtration	Pleated Filter
5th Filtration	HEPA
Noise@3ft. / 6.5ft. / 10ft.	73dB / 69.7dB / 68dB



Dealer Information / Contact:



888-372-0050 x4
 Sales@IAP-AirProducts.com
 IAP Air Products
 2544 Highway 70 East
 Cookeville, TN 38506

SINGLE SOURCE FOR
 Fume / Welding / Dust Arms
 Ambient Air Cleaners, Mobile Welding Units
 Dust Collectors, Vehicle Exhaust, etc.
 at www.IAP-AirProducts.com

IAP Air Products · 888-372-0050 x4 · Sales@IAP-AirProducts.com

PFE-2010-S Portable Fume Extractor