



Industrial strength in capturing:

- WELDING FUMES
- GRINDING DUSTS
- DRY DUSTS
- SOLDERING FUMES
- POWDERS
- PLASMA CUTTING

888-372-0050 x4

Sales@IAP-AirProducts.com

www.IAP-AirProducts.com



Hanging Arm

Standing Arm

LARGER HOODS OPTIONAL



Industrial Strength Fume Arms

Industrial Air Products • 888-372-0050 x4 • Sales@IAP-AirProducts.com

FUME ARM IN ACTION



Applications:

Welding • Grinding • Polishing • Cutting
Soldering • Chemical Fumes and many more!

Features:

- industrial strength
- versatile design
- smooth tube construction
- external joints and supports
- hood and tube grab handles
- air diverter in the hood
- standard damper

Benefits:

- long lasting life time
- user-friendly operation
- higher airflow performance
- easy to adjust and maintain
- simple positioning
- increased capture velocity
- damper and mounting bracket included



All External Joints and Supports



Standard Damper



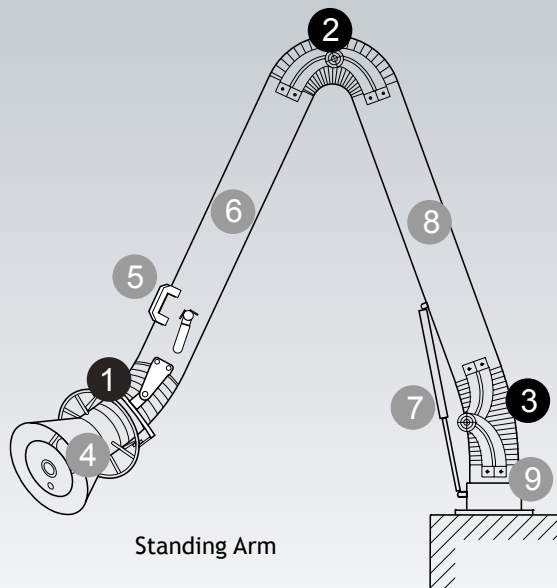
Air Diverter and Grab Handle
all around the Hood

Industrial Strength Construction

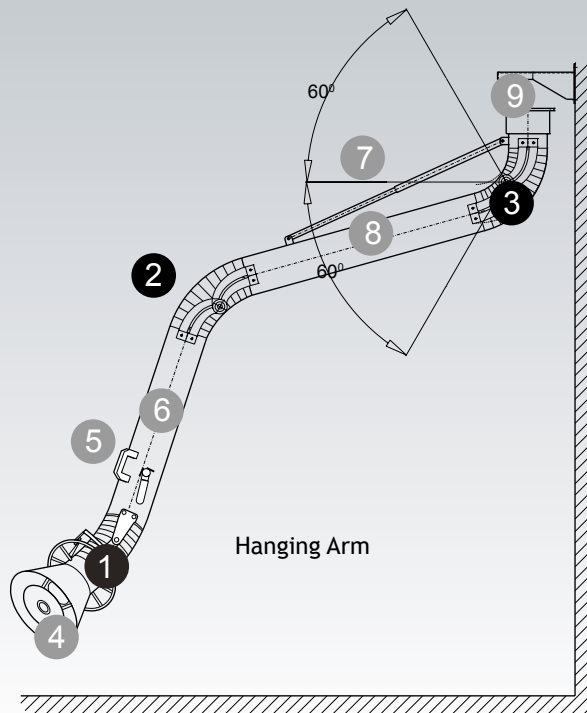
- 1 HOOD JOINT**
Hood easily positions forward, backward and sideways. All external adjustments. Flexible hose with gear clamps.

- 2 MIDDLE JOINT**
All external adjustments. Flexible hose with gear clamps.

- 3 SOCKET JOINT**
Rotating swivel with safety stop, for 180° rotation. All external adjustments. Flexible hose with gear clamps.



Standing Arm

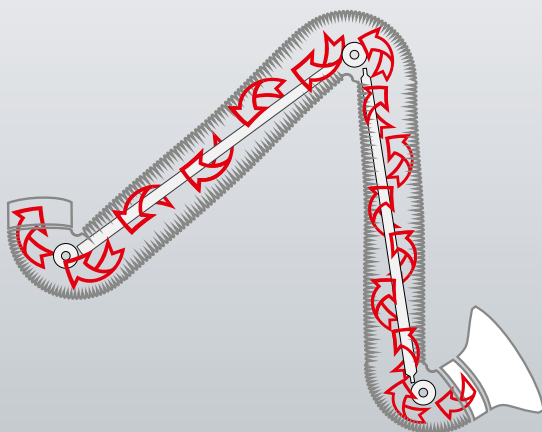


Hanging Arm

- 4** Aluminium hood (powder coated) with surrounding grab handle.
- 5** Additional tube grab handle.
- 6** Smooth steel tube (powder coated) with standard damper.
- 7** Support spring or gas shock on the outside on both versions.

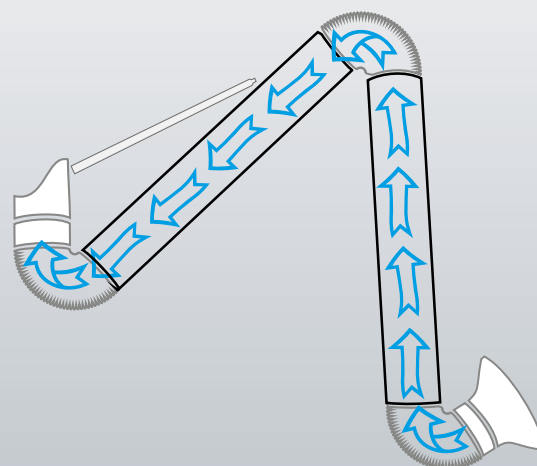
- 8** Smooth steel tube (powder coated).
- 9** Swivel base with predrilled mounting holes, 350° rotation.

Comparison



Other Brands - Internal Components

- restricted airflow
- higher static pressure
- hard to clean
- build up on joint and components



IAP Fume Arm - External Components

- unrestricted airflow
- lower static pressure
- quick cleaning
- minimal build up

Technical Data

Arm Part #	Tube Diameter [inches]	Arm Length [Feet]	Hood Diameter [inches]	Ductwork Connection [inches]	Mounting Configuration	Typical Restrictions & Air Flow at 3000 fpm [inches wg]	Arm, Bracket and Hood Weight [lbs]
W02-01-0710	3	3	8	3	Hanging or Standing	1.4 @ 145 cfm	12.4
W02-01-0715	3	5	8	3	Hanging or Standing	1.4 @ 145 cfm	14.4
W02-01-1015	4	5	8	4	Hanging or Standing	1.2 @ 255 cfm	20.9
W02-01-1025	4	8	8	4	Hanging	1.2 @ 255 cfm	24.4
W02-01-1220	5	7	10	5	Hanging or Standing	1.1 @ 400 cfm	43.2
W02-01-1230	5	10	10	5	Hanging	1.1 @ 400 cfm	46.5
W02-01-1620	6	7	12	6	Hanging or Standing	0.8 @ 600 cfm	57.5
W02-01-1630	6	10	12	6	Hanging or Standing	0.8 @ 600 cfm	59.7
W02-01-1640	6	14	12	6	Hanging	0.8 @ 600 cfm	65.2
W02-01-2020	8	7	14	8	Hanging or Standing	0.7 @ 1050 cfm	77.8
W02-01-2030	8	10	14	8	Hanging or Standing	0.7 @ 1050 cfm	83.3
W02-01-2040	8	14	14	8	Hanging	0.7 @ 1050 cfm	93.2

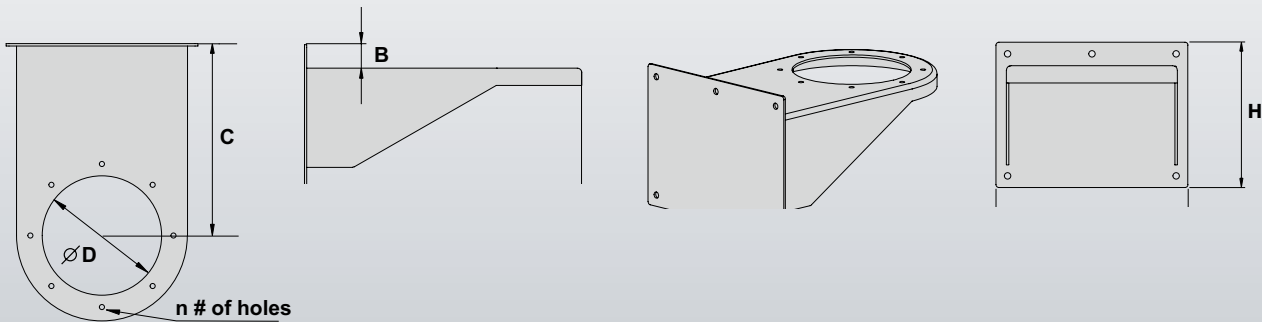
* All hanging arms include wall bracket and galvanized ductwork connection.

* If ordering Standing Arms, place a "P" behind part #.

EQUIPMENT OPTIONS			HOOD OPTIONS	
Exhaust Fan	Floor Stanchions	Light Kits	20" diameter hoods for 6" arms	
Ceiling Stanchions	Extension Booms	Wall Stanchions	20" diameter hoods for 8" arms	

Standard Hanging Mount Brackets

Bracket type Ø [inches]	n	ØD [inches]	C [inches]	L [inches]	B [inches]	W [inches]	H [inches]	Weight [lb]
3	4	2.95	3.54	6.69	0	5.59	3.94	1
4	4	3.94	3.94	7.48	0	6.30	3.94	1
5	6	4.92	6.02	9.96	1.38	9.45	6.30	7.9
6	6	6.30	10.00	14.72	1.38	9.84	6.50	7.9
8	8	8.07	12.36	18.11	1.57	12.99	9.84	13.9



Dealer Information / Contact:



888-372-0050 x4
 Sales@IAP-AirProducts.com
 Industrial Air Products
 2544 Highway 70 East
 Cookeville, TN 38506

SINGLE SOURCE FOR
 at www.IAP-AirProducts.com
 Fume / Welding / Dust Arms
 Ambient Air Cleaners, Mobile Welding Units
 Dust Collectors, Vehicle Exhaust, etc.