



## Industrial strength in capturing:

- BLENDING
- MIXING
- POURING
- CHEMICAL FUMES
- DRY DUSTS
- POWDERS

888-372-0050 x4

[Sales@IAP-AirProducts.com](mailto:Sales@IAP-AirProducts.com)

[www.IAP-AirProducts.com](http://www.IAP-AirProducts.com)

## Industrial Stainless Steel Fume Arms

Industrial Air Products • 888-372-0050 x4 • [Sales@IAP-AirProducts.com](mailto:Sales@IAP-AirProducts.com)



Hanging Arm



Standing Arm

# FUME ARM IN ACTION



## Applications:

Blending • Mixing • Pouring  
Chemical Fumes and many more!

## Features:

- industrial strength
- versatile design
- smooth tube construction
- external joints and supports
- hood and tube grab handles
- air diverter in the hood
- standard damper
- FDA Pur Antistatic hose
- stainless components
- anodized aluminum components

## Benefits:

- long lasting life time
- user-friendly operation
- higher airflow performance
- easy to adjust and maintain
- simple positioning
- increased capture velocity
- damper and mounting bracket included



All External Joints and Supports



Standard Damper



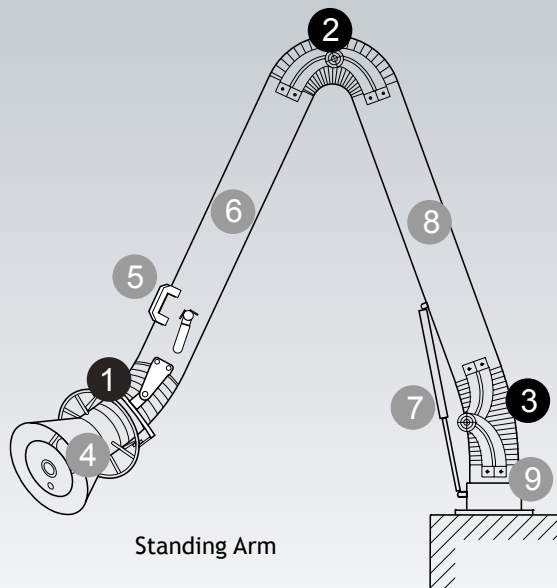
Air Diverter and Grab Handle  
all around the Hood

## Industrial Strength Construction

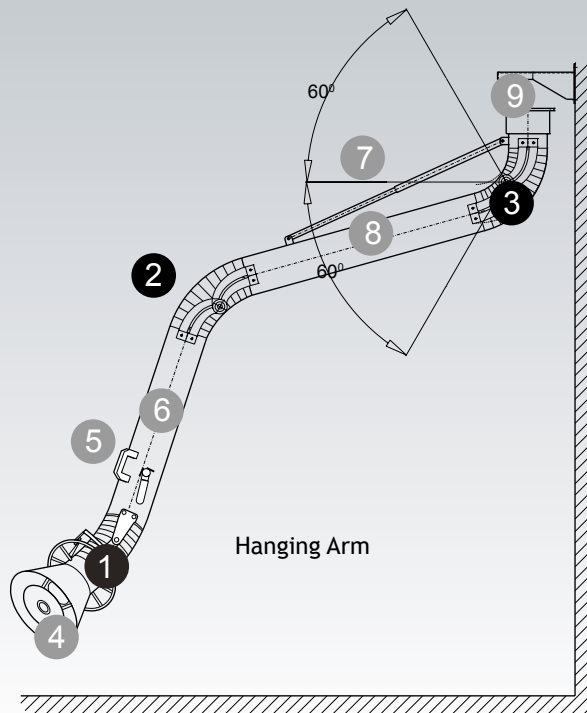
- 1 HOOD JOINT**  
Hood easily positions forward, backward and sideways. All external adjustments. Flexible hose with gear clamps.

- 2 MIDDLE JOINT**  
All external adjustments. Flexible hose with gear clamps. FDA Pur Antistatic hose.

- 3 SOCKET JOINT**  
Rotating swivel with safety stop, for 180° rotation. All external adjustments. Flexible hose with gear clamps.



Standing Arm

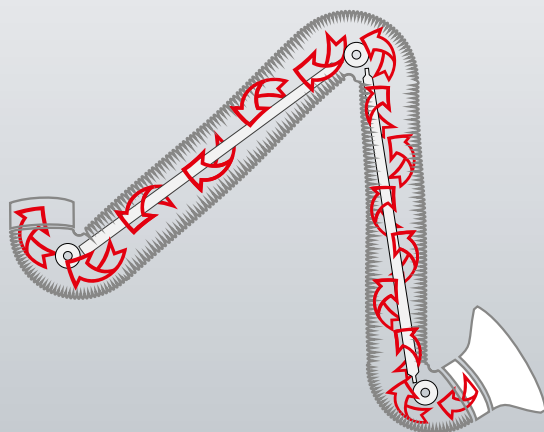


Hanging Arm

- 4** 304 Stainless Steel Hood with surrounding grab handle.
- 5** Additional tube grab handle.
- 6** 304 Stainless Steel tube with standard damper.
- 7** Support spring or gas shock on the outside on both versions.

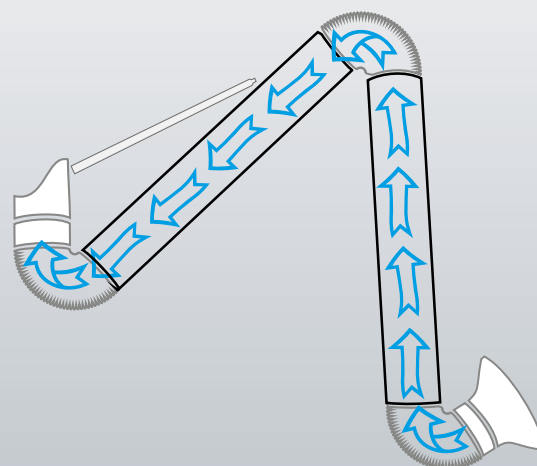
- 8** 304 Stainless Steel tube.
- 9** Swivel base with predrilled mounting holes, 350° rotation.

## Comparison



### Other Brands - Internal Components

- restricted airflow
- higher static pressure
- hard to clean
- build up on joint and components



### IAP Fume Arm - External Components

- unrestricted airflow
- lower static pressure
- quick cleaning
- minimal build up

## Technical Data

Arm Part #	Tube Diameter [inches]	Arm Length [Feet]	Hood Diameter [inches]	Ductwork Connection [inches]	Mounting Configuration	Typical Restrictions and Air Flow [inches wg]	Arm, Bracket and Hood Weight [lbs]
W02-FS-0710	3	3	6	3	Hanging or Standing	5.0 @ 175 cfm	12.4
W02-FS-0715	3	5	6	3	Hanging or Standing	5.0 @ 175 cfm	14.4
W02-FS-1015	4	5	8	4	Hanging or Standing	4.3 @ 375 cfm	22.5
W02-FS-1025	4	8	8	4	Hanging	4.3 @ 375 cfm	24.9
W02-FS-1220	5	7	10	5	Hanging or Standing	3.5 @ 550 cfm	44.1
W02-FS-1230	5	10	10	5	Hanging	3.5 @ 550 cfm	47.4
W02-FS-1620	6	7	12	6	Hanging or Standing	3.0 @ 800 cfm	59.9
W02-FS-1630	6	10	12	6	Hanging or Standing	3.0 @ 800 cfm	60.9
W02-FS-1640	6	14	12	6	Hanging	3.0 @ 800 cfm	66.5
W02-FS-2020	8	7	14	8	Hanging or Standing	2.5 @ 1000 cfm	79.4
W02-FS-2030	8	10	14	8	Hanging	2.5 @ 1000 cfm	85
W02-FS-2040	8	14	14	8	Hanging	2.5 @ 1000 cfm	95.1

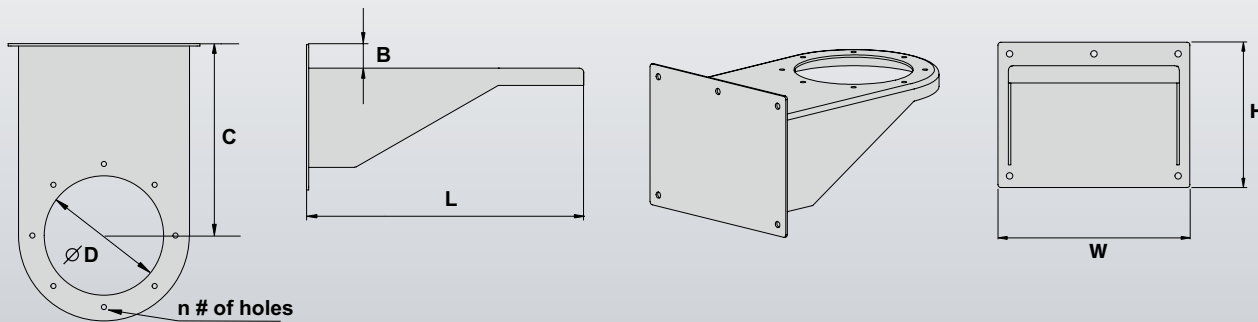
\* All hanging arms include Stainless Steel wall bracket and Stainless Steel ductwork connection.

\* If ordering Standing Arms, place a "P" behind part #.

EQUIPMENT OPTIONS		HOOD OPTIONS
Floor Stanchions	Light Kits	20" diameter hoods for 6" arms
Wall Stanchions	Ceiling Stanchions	20" diameter hoods for 8" arms

## Stainless Steel Hanging Mount Brackets

Bracket type Ø [inches]	n	ØD [inches]	C [inches]	L [inches]	B [inches]	W [inches]	H [inches]	Weight [lb]
3	4	2.95	3.54	6.69	0	5.59	3.94	1
4	4	3.94	3.94	7.48	0	6.30	3.94	1
5	6	4.92	6.02	9.96	1.38	9.45	6.30	7.9
6	6	6.30	10.00	14.72	1.38	9.84	6.50	7.9
8	8	8.07	12.36	18.11	1.57	12.99	9.84	13.9



### Dealer Information / Contact:



888-372-0050 x4  
 Sales@IAP-AirProducts.com  
 Industrial Air Products  
 2544 Highway 70 East  
 Cookeville, TN 38506

**SINGLE SOURCE FOR**  
 at [www.IAP-AirProducts.com](http://www.IAP-AirProducts.com)  
 Fume / Welding / Dust Arms  
 Ambient Air Cleaners, Mobile Welding Units  
 Dust Collectors, Vehicle Exhaust, etc.