



# Extraction Fans

Works with IAP Source Capture devices for direct mount or remote mount.

888-372-0050 x4

Sales@IAP-AirProducts.com

www.IAP-AirProducts.com

Extraction Fans



1 HP, 2 HP or 3HP

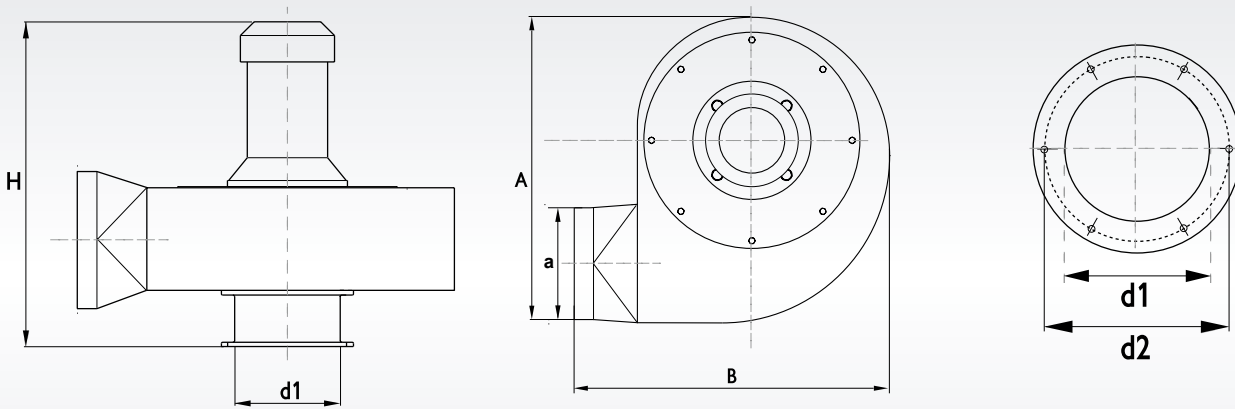
Aluminum impeller in steel housing.

Industrial Air Products • 888-372-0050 x4 • Sales@IAP-AirProducts.com

## Technical Data

Part number	Model type	inlet Ø [inches]	Nominal capacity [cfm]	Power [kW]	Power supply [V] / [Hz]	Rotation [rpm]	Protection	Noise level [dBA]
102169	1 HP	6	600	0.75	480V/3/60	2780	IP55	77
102173	2 HP	6	1200	1.1	480V/3/60	2760	IP55	79
102178	3 HP	8	1750	2.2	480V/3/60	2800	IP55	80

104320	1 HP	6	600	0.75	110-220V/1/60	2780	IP55	77
104421	2 HP	6	1200	1.1	110-220V/1/60	2760	IP55	79
104420	3 HP	8	1750	2.2	208-230/480V/3/60	2800	IP55	80



Part number	Fits Arm Models	Model Type	A	B	H	d1	a	d2
104320	1620, 1630, 1640	1 HP	20.20"	22.60"	16.81"	6"	6"	7.68"
104421	1620, 1630, 1640	2 HP*	22.72"	25.00"	18.94"	6"	8"	7.68"
104420	2020, 2030, 2040	3 HP	25.63"	27.20"	19.37"	8"	8"	9.69"

\* 2HP Fan requires Extended Wall Bracket, 102703-RAL 9005DS

## Dealer Information / Contact:



888-372-0050 x4  
 Sales@IAP-AirProducts.com  
 Industrial Air Products  
 2544 Highway 70 East Cookeville,  
 TN 38506

**SINGLE SOURCE FOR**  
 at [www.IAP-AirProducts.com](http://www.IAP-AirProducts.com)  
 Fume / Welding / Dust Arms  
 Ambient Air Cleaners, Mobile Welding Units  
 Dust Collectors, Vehicle Exhaust, etc.