



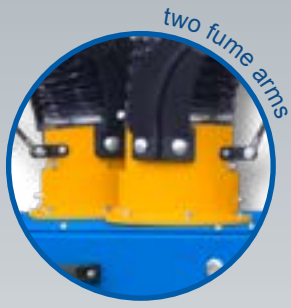
Boxair M2 - Mobile Filter Unit
Designed for removal of dusts and fumes
during welding processes.

888-372-0050 x4
Sales@IAP-AirProducts.com
www.IAP-AirProducts.com



Boxair M2 - Mobile filter unit

Industrial Air Products • 888-372-0050 x4 • Sales@IAP-AirProducts.com



two fume arms



power cord holder



pre-filter



main filter

Applications:

- sporadic and occasional use where there is no need of constant exhaust operation
- low concentrations of fume, smoke or dust

Construction:

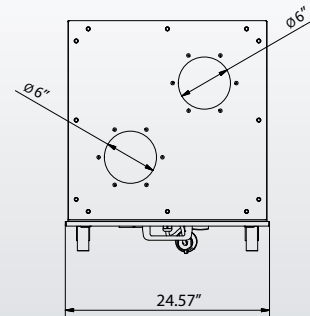
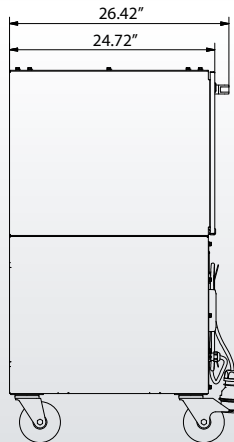
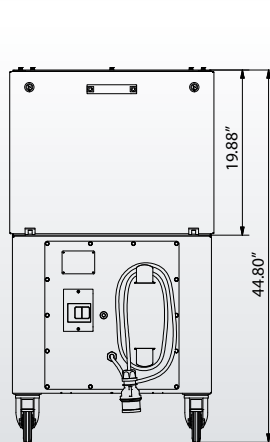
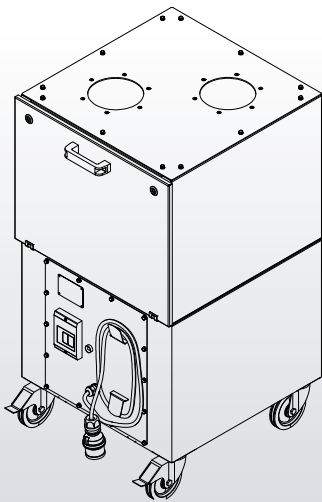
- airflow 1180 cfm
- aluminium impeller fan unit
- two stage filtration
- filter indicator
- steel, welded and powder coated construction
- two 6" x 7' or 10' Arms

Accessories:

- light in the hood (tube arms only)

Technical Data

Airflow	1180 cfm
Fan	3 HP
Power supply	480 V three phase
Weight without arm	185 lbs
Noise level	68 dB(A)
Filtration efficiency	99,9%
Pre-filter (washable)	Metal Mesh
Main filter	Cassette (180 ft ²)
Typical Restrictions and Air Flow [inches wg]	6.0 @ 1000 cfm



Dealer Information / Contact:



888-372-0050 x4
 Sales@IAP-AirProducts.com
 Industrial Air Products
 2544 Highway 70 East Cookeville,
 TN 38506

SINGLE SOURCE FOR
 at www.IAP-AirProducts.com
 Fume / Welding / Dust Arms
 Ambient Air Cleaners, Mobile Welding Units
 Dust Collectors, Vehicle Exhaust, etc.

Industrial Air Products • 888-372-0050 x4 • Sales@IAP-AirProducts.com

Boxair M2 - Mobile filter unit