



Boxair M1002 - Mobile Filter Unit

Designed for removal of dusts and fumes during welding processes.

888-372-0050 x4

Sales@IAP-AirProducts.com

www.IAP-AirProducts.com

Boxair M1002 - Mobile filter unit

Industrial Air Products • 888-372-0050 x4 • Sales@IAP-AirProducts.com

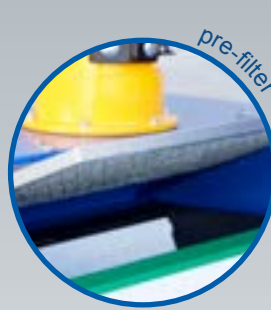




transport handle



power cord holder



pre-filter



main filter

Applications:

- sporadic and occasional use where there is no need of constant exhaust operation
- low concentrations of fume, smoke or dust

Construction:

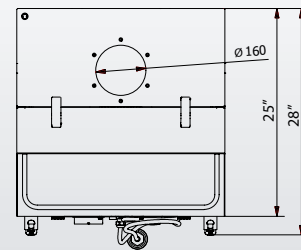
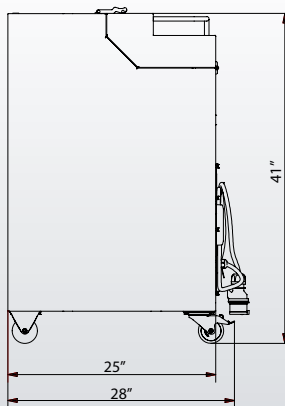
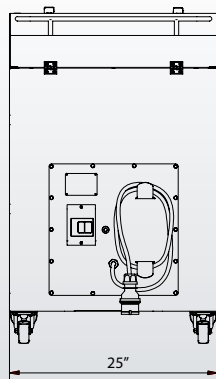
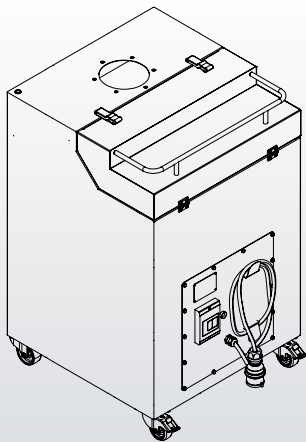
- airflow 700 cfm
- aluminium impeller fan unit
- two stage filtration
- filter indicator
- steel, welded and powder coated construction
- 6" x 7' or 10' Arm

Accessories:

- light in the hood (tube arms only)

Technical Data

Nominal Airflow	700 cfm
Fan	1.5 HP
Power supply	110V single phase
Weight without arm	170 lbs
Noise level	68 dB(A)
Filtration efficiency	99,9%
Pre-filter (washable)	Metal Mesh
Main filter	Cassette (118 ft ²)



Dealer Information / Contact:



888-372-0050 x4
 Sales@IAP-AirProducts.com
 Industrial Air Products
 2544 Highway 70 East Cookeville,
 TN 38506

SINGLE SOURCE FOR
 at www.IAP-AirProducts.com
 Fume / Welding / Dust Arms
 Ambient Air Cleaners, Mobile Welding Units
 Dust Collectors, Vehicle Exhaust, etc.

Industrial Air Products • 888-372-0050 x4 • Sales@IAP-AirProducts.com

Boxair M1002 - Mobile filter unit